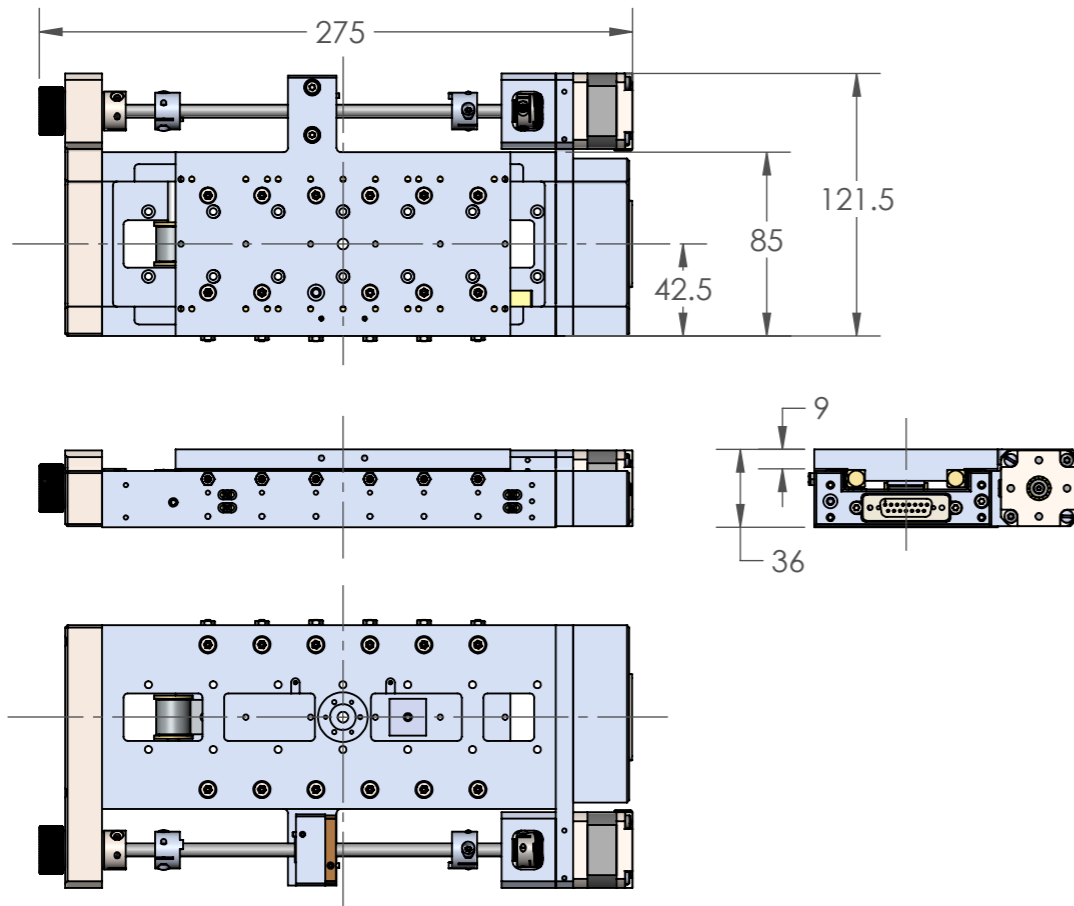
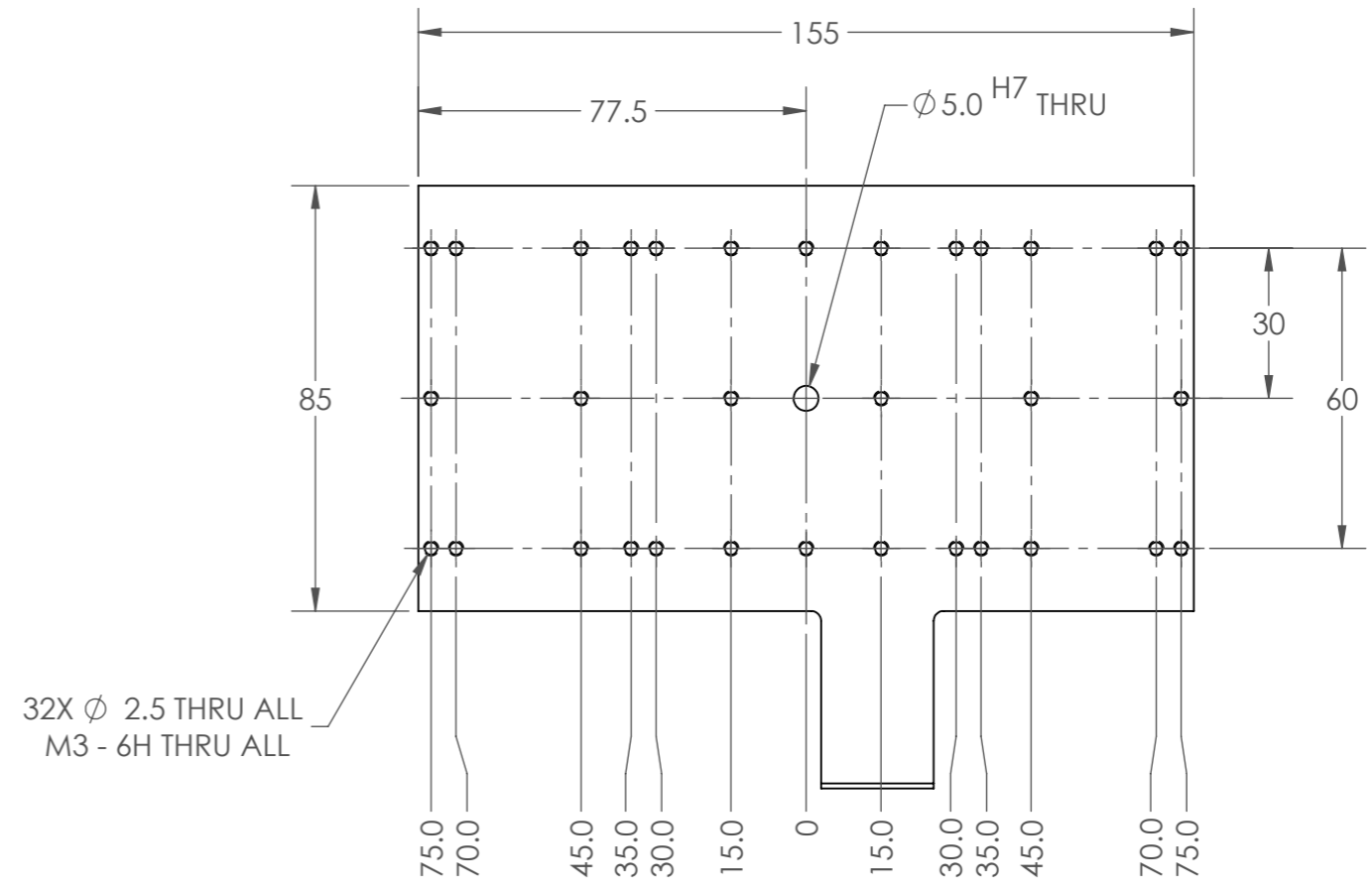


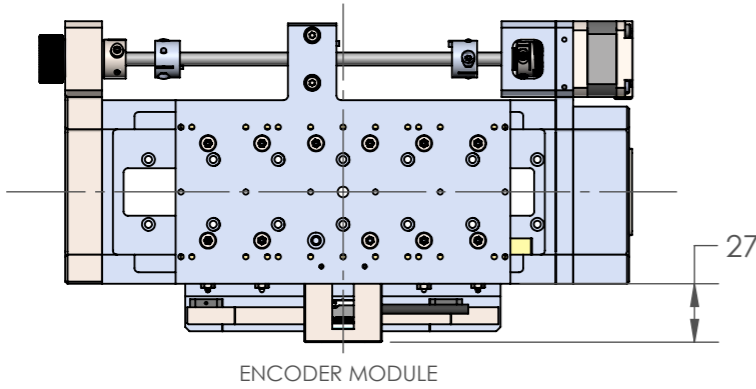
VSM19-X-100



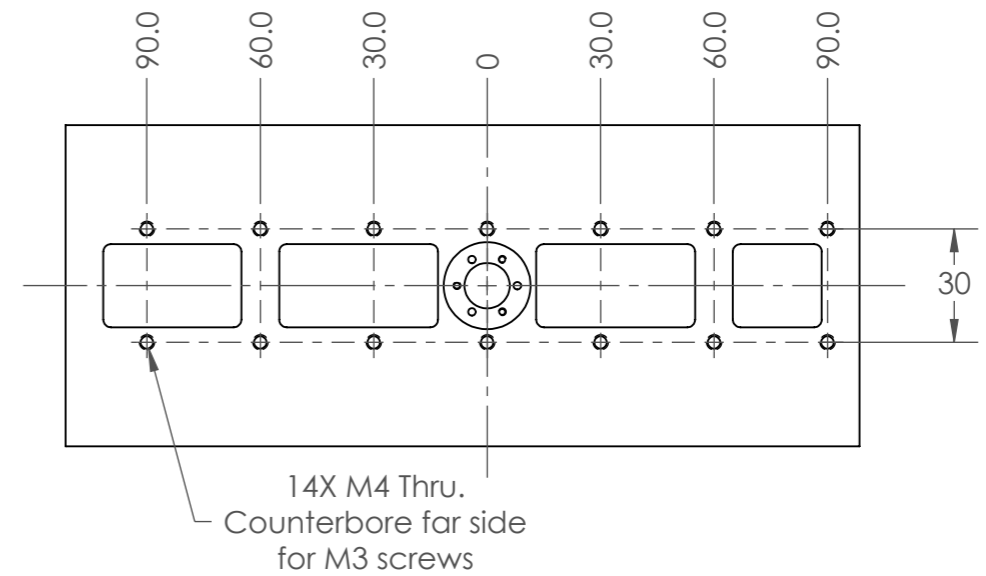
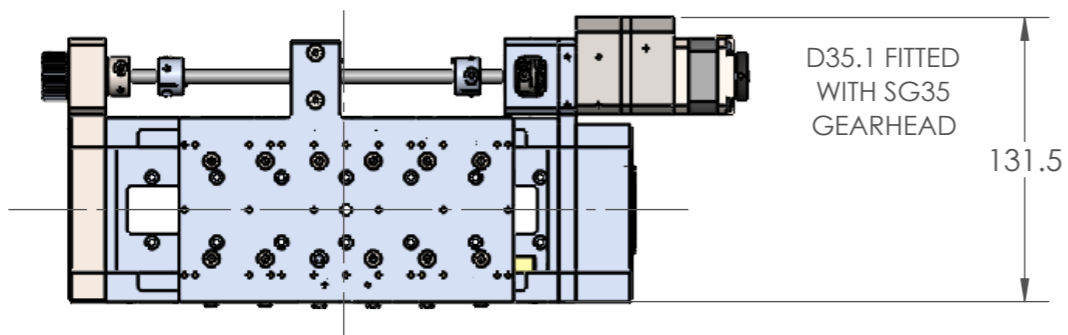
CARRIAGE MOUNTING DIMENSIONS



VSM19-X-100-ER



VSM19-X-100-HR

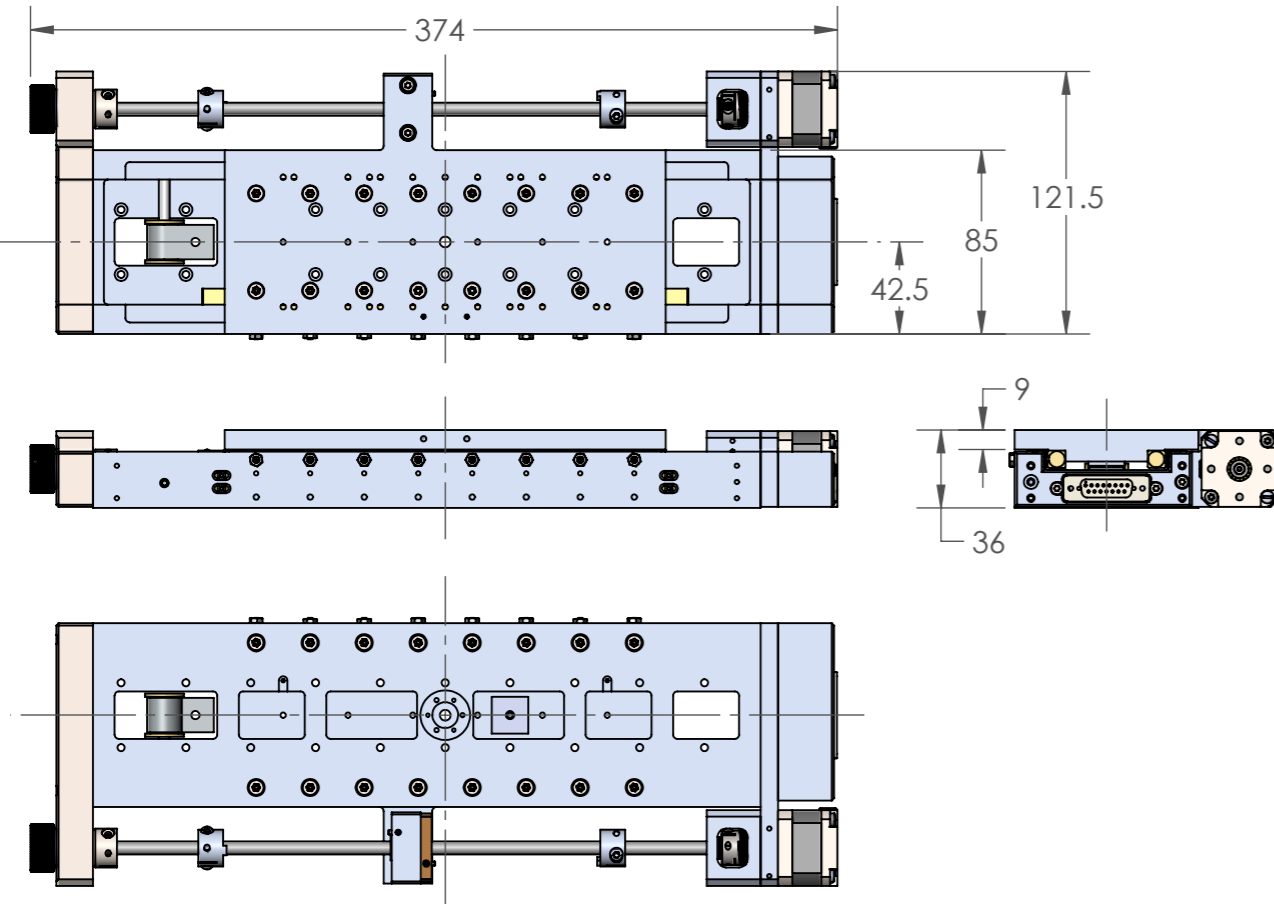


This drawing / document is copyright and the property of Arun Microelectronics Ltd. It must not be copied (in whole or in part), used for manufacture or otherwise disclosed without prior written consent of the company.  
 ©Arun Microelectronics Ltd. 2025  
**All materials and / or components must comply with ROHS requirements**  
 MATERIAL:  
 FINISH:

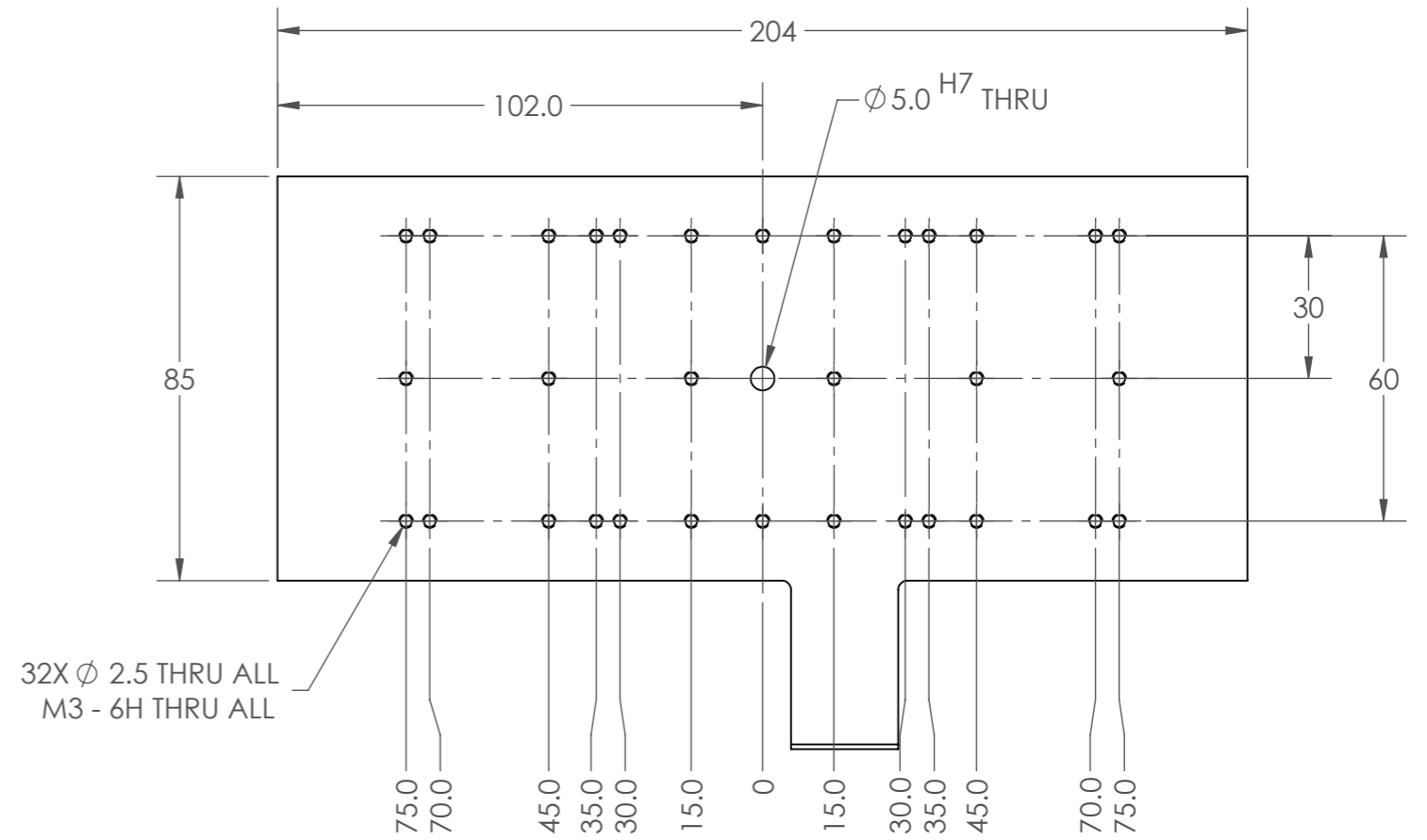
**Arun Microelectronics Ltd.**  
 UNLESS OTHERWISE SPECIFIED  
 DIMENSIONS ARE IN:- mm  
**TOLERANCES:**  
 ONE PLACE DECIMAL  $\pm 0.25$   
 TWO PLACE DECIMAL  $\pm 0.10$   
 General geometrical tolerances in accordance with ISO 2768-K  
**TITLE:**  
**VSM19-X-100 GA**  
**DWG NO.:**  
**M19-005A**  
 DRAWN: JWC  
 THIRD ANGLE PROJECTION  
 DO NOT SCALE DRAWING  
 SHEET 1 OF 1

ZONE	REV.	DESCRIPTION	DATE	APPROVED
	A	Release	18/11/2025	PJB
REVISIONS				

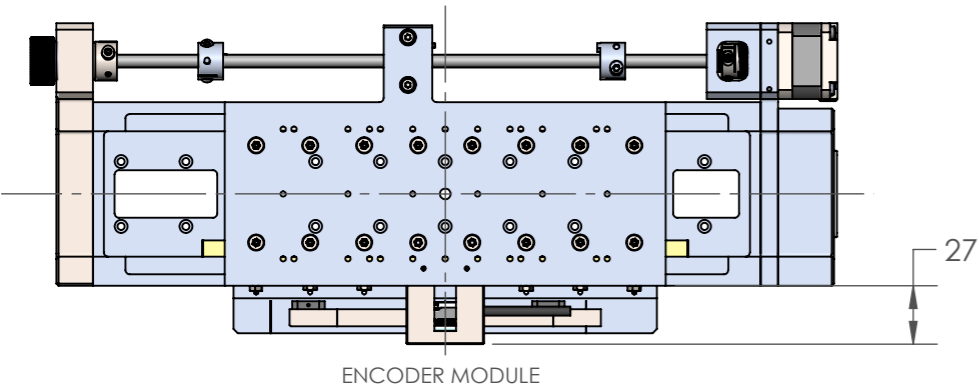
VSM19-X-150



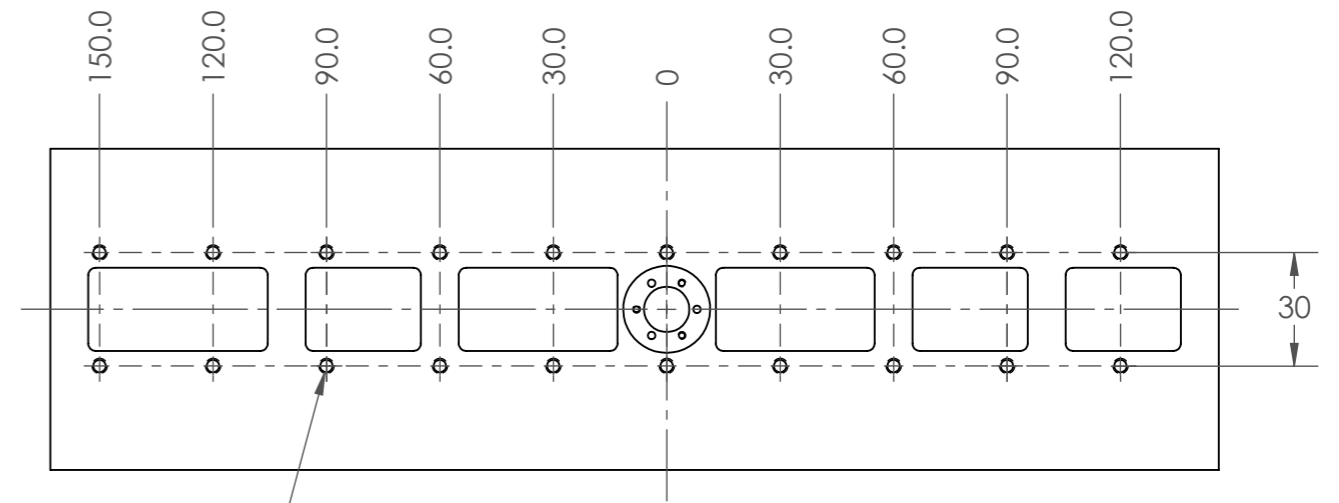
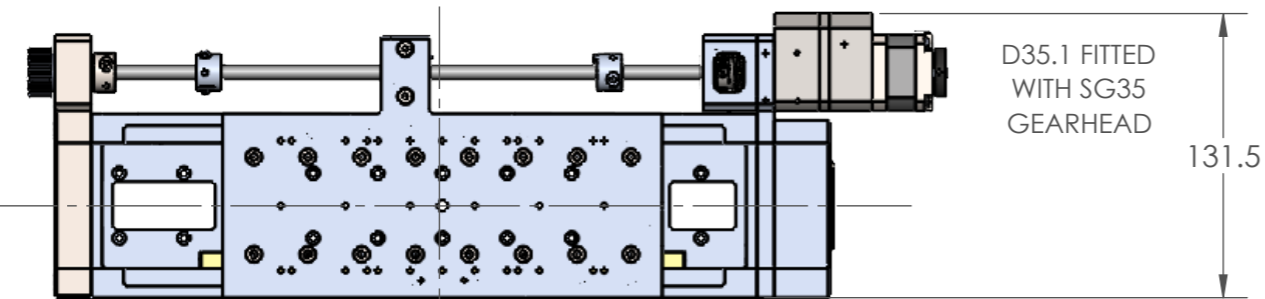
CARRIAGE MOUNTING DIMENSIONS



VSM19-X-150-ER



VSM19-X-150-HR



20X M4 Thru.  
Counterbore far side  
for M3 screws

This drawing / document is copyright and the property of Arun Microelectronics Ltd. It must not be copied (in whole or in part), used for manufacture or otherwise disclosed without prior written consent of the company  
©Arun Microelectronics Ltd. 2025



Arun Microelectronics Ltd.

UNLESS OTHERWISE SPECIFIED  
DIMENSIONS ARE IN:- mm

TITLE:  
VSM19-X-150 GA

TOLERANCES:  
ONE PLACE DECIMAL ±0.25  
TWO PLACE DECIMAL ±0.10

General geometrical tolerances in accordance with ISO 2768-K

MATERIAL:

DWG NO.

M19-006A

FINISH:

DRAWN JWC

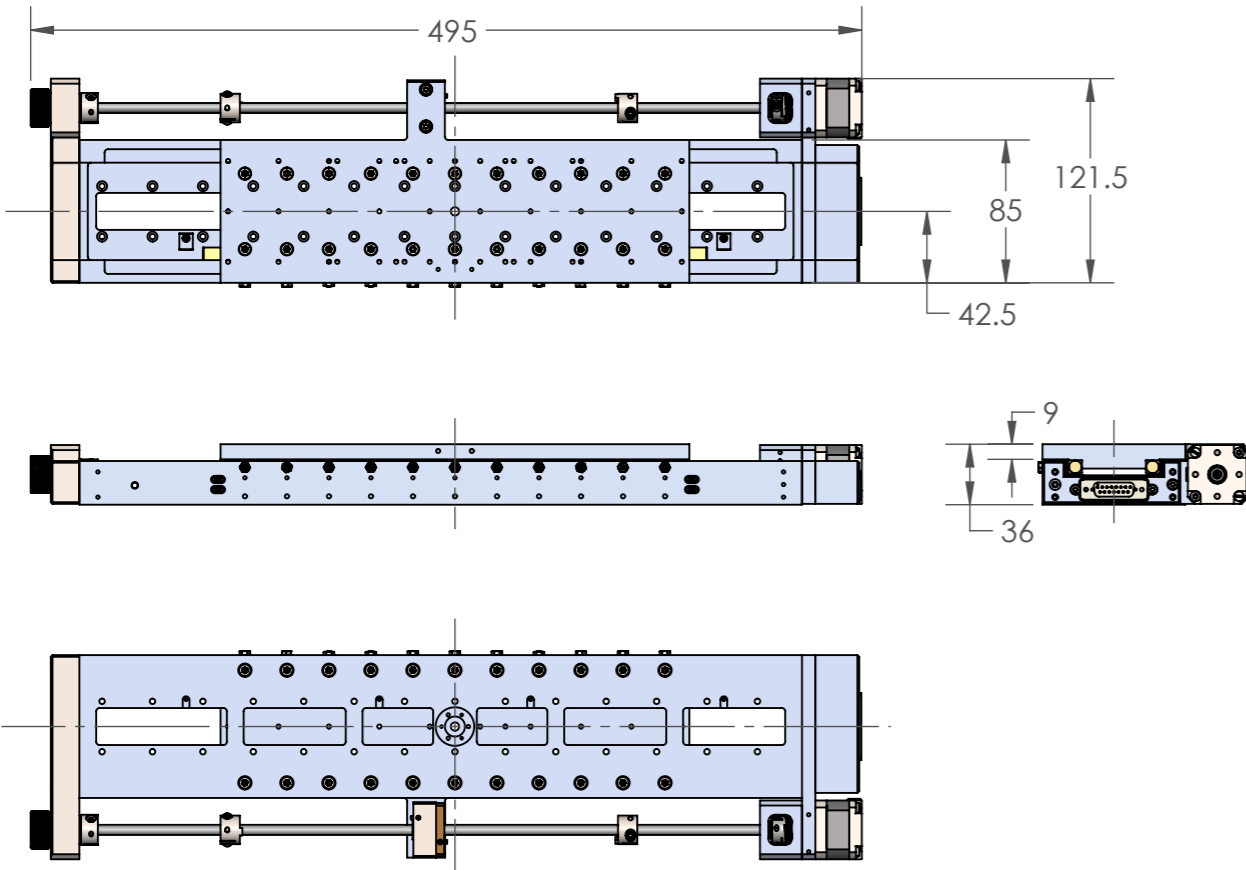
THIRD ANGLE PROJECTION

DO NOT SCALE DRAWING

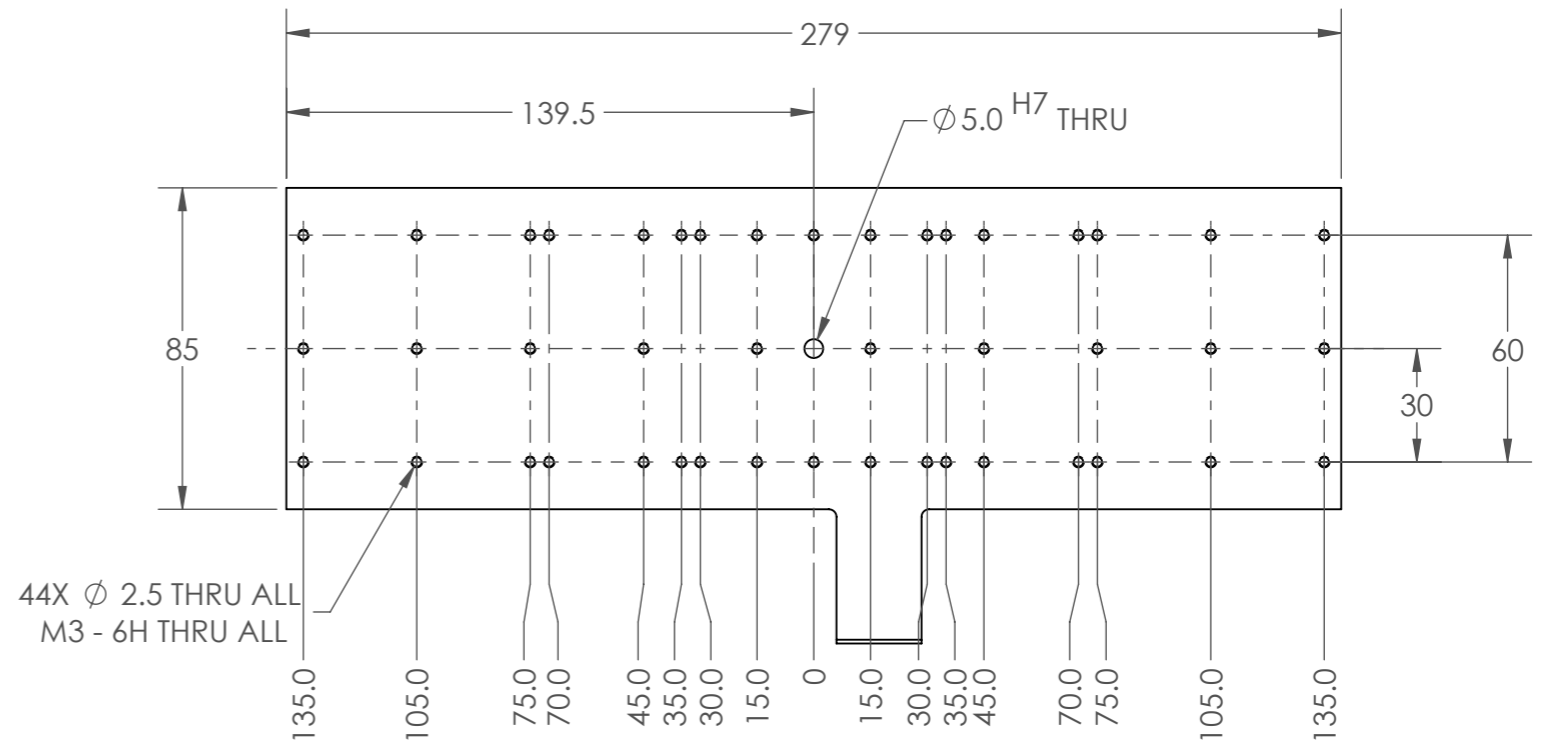
SHEET 1 OF 1

	A	Release	11/12/2025	
ZONE	REV.	DESCRIPTION	DATE	APPROVED
REVISIONS				

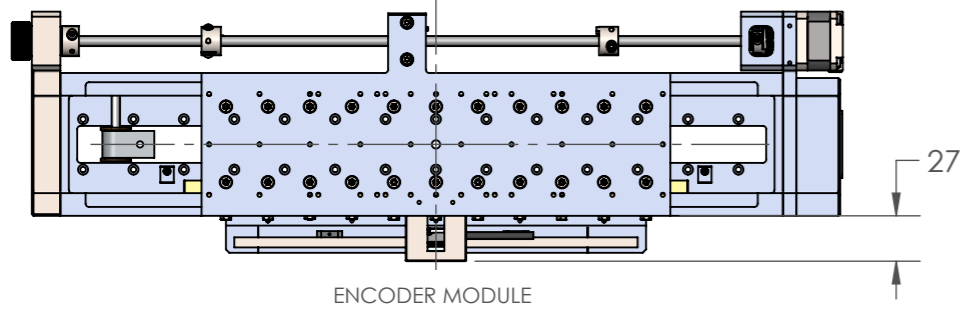
VSM19-X-200



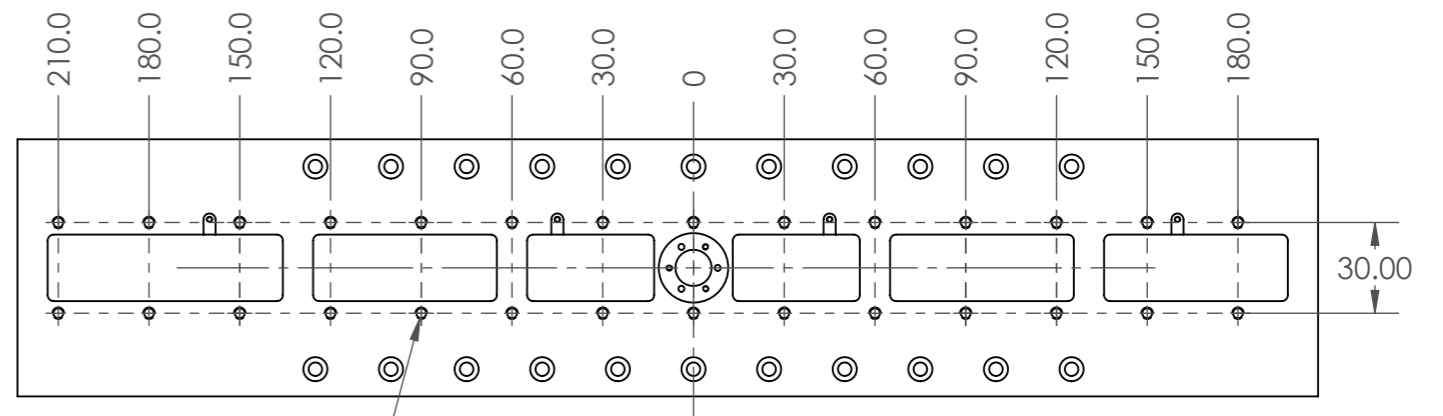
CARRIAGE MOUNTING DIMENSIONS



VSM19-X-200-ER

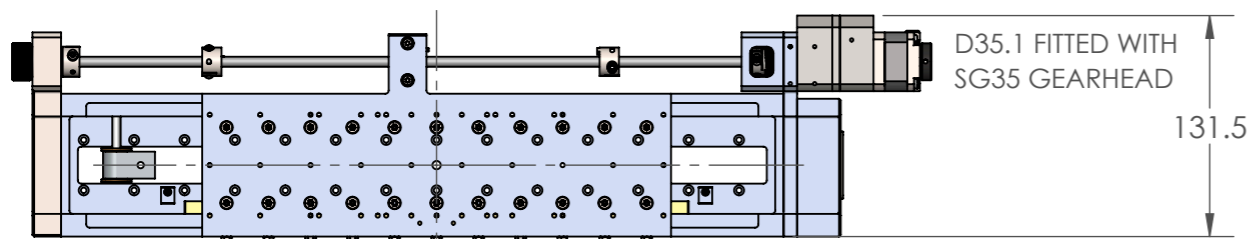


ENCODER MODULE



28X M4 Thru.  
Counterbore far side  
for M3 screws

VSM19-X-200-HR



D35.1 FITTED WITH  
SG35 GEARHEAD

ZONE	REV.	DESCRIPTION	DATE	APPROVED
	A	Release	11/12/2025	
REVISIONS				

This drawing / document is copyright and the property of Arun Microelectronics Ltd. It must not be copied (in whole or in part), used for manufacture or otherwise disclosed without prior written consent of the company.

©Arun Microelectronics Ltd. 2025

All materials and / or components must comply with ROHS requirements

MATERIAL:

FINISH:



Arun Microelectronics Ltd.

UNLESS OTHERWISE SPECIFIED

DIMENSIONS ARE IN:- mm

TOLERANCES:  
ONE PLACE DECIMAL  $\pm 0.25$   
TWO PLACE DECIMAL  $\pm 0.10$

General geometrical tolerances in accordance with ISO 2768-K

DRAWN

JWC

THIRD ANGLE PROJECTION

TITLE:

VSM19-X-200 GA

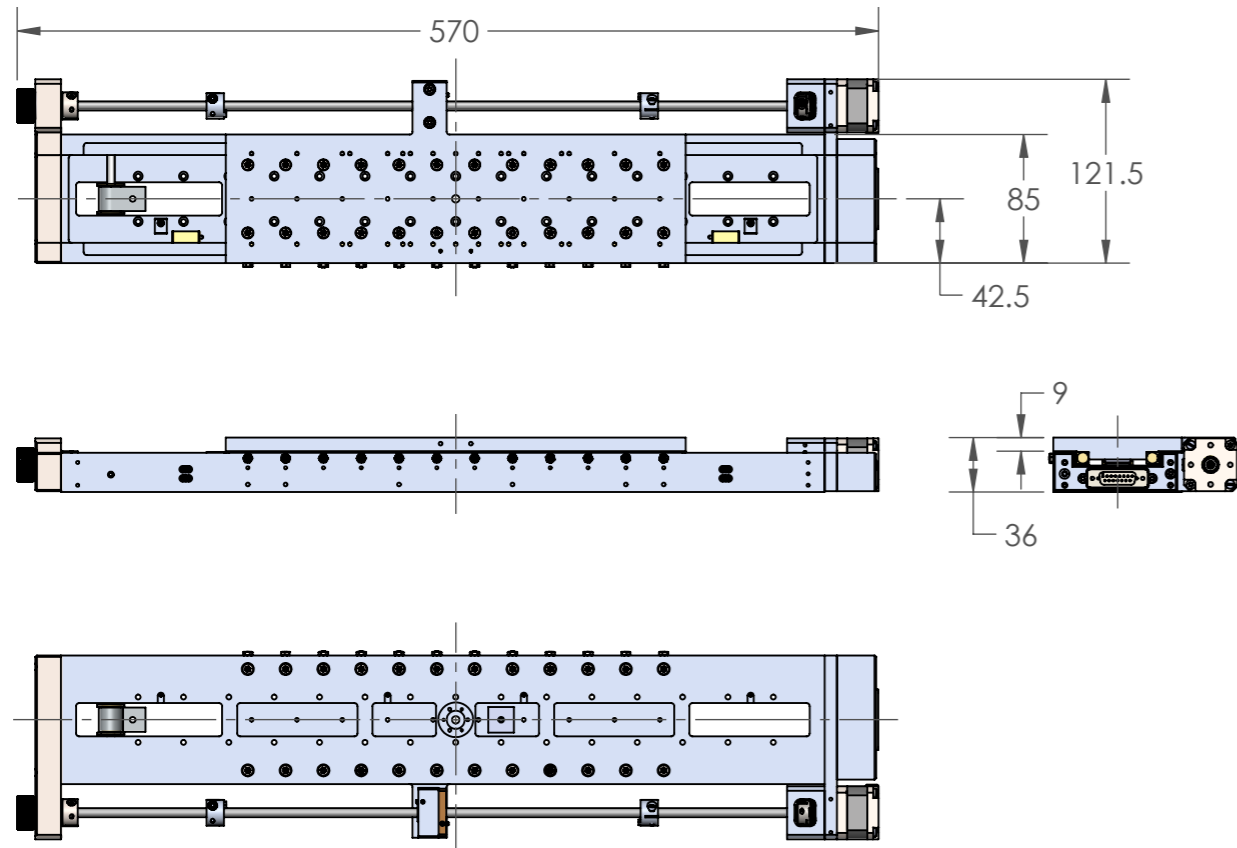
DWG NO.

M19-007A

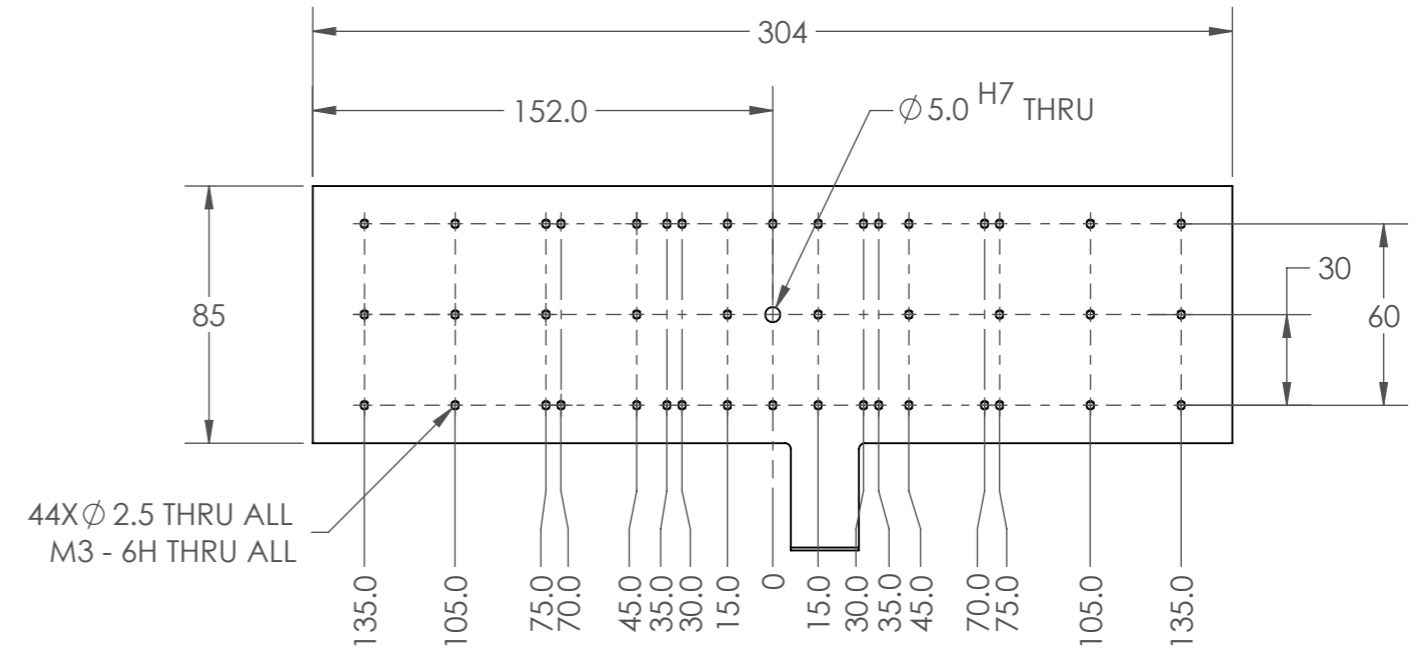
DO NOT SCALE DRAWING

SHEET 1 OF 1

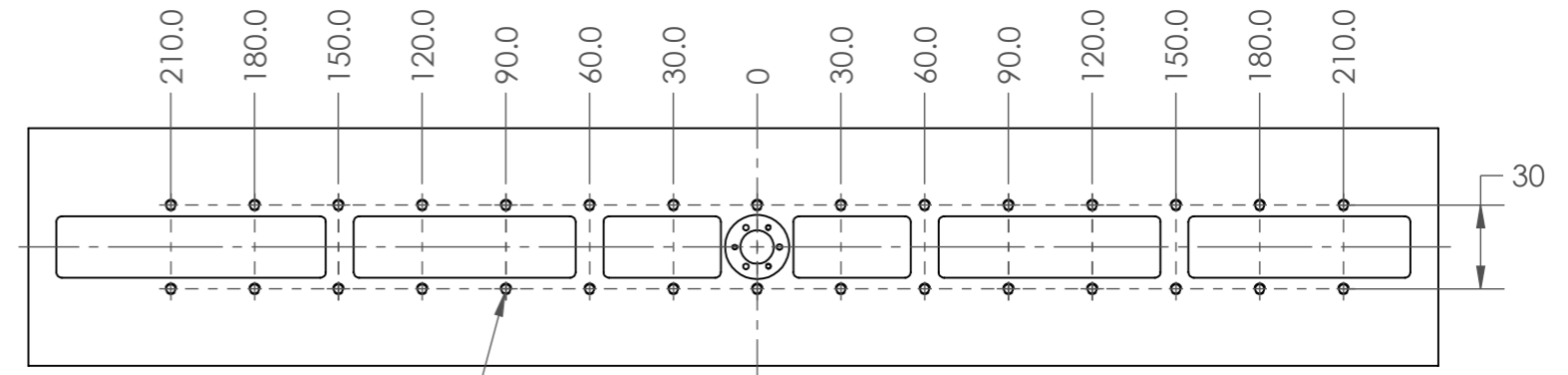
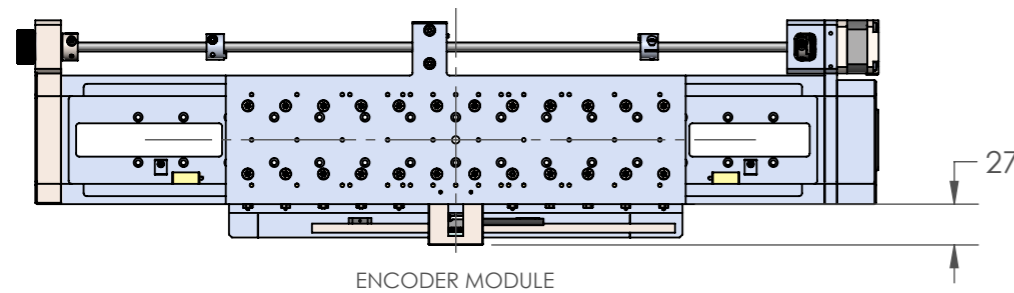
VSM19-X-250



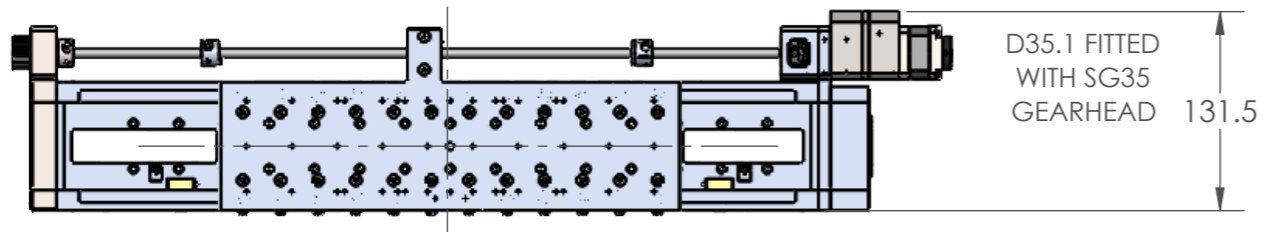
CARRIAGE MOUNTING DIMENSIONS



VSM19-X-250-ER



VSM19-X-250-HR



30X M4 Thru.  
Counterbore far side  
for M3 screws

This drawing / document is copyright and the property of Arun Microelectronics Ltd. It must not be copied (in whole or in part), used for manufacture or otherwise disclosed without prior written consent of the company.  
©Arun Microelectronics Ltd. 2025

**aml** Arun Microelectronics Ltd.

UNLESS OTHERWISE SPECIFIED  
DIMENSIONS ARE IN:- mm  
TOLERANCES:  
ONE PLACE DECIMAL ±0.25  
TWO PLACE DECIMAL ±0.10  
General geometrical tolerances in accordance with ISO 2768-K

TITLE:  
**VSM19-X-250 GA**

MATERIAL:

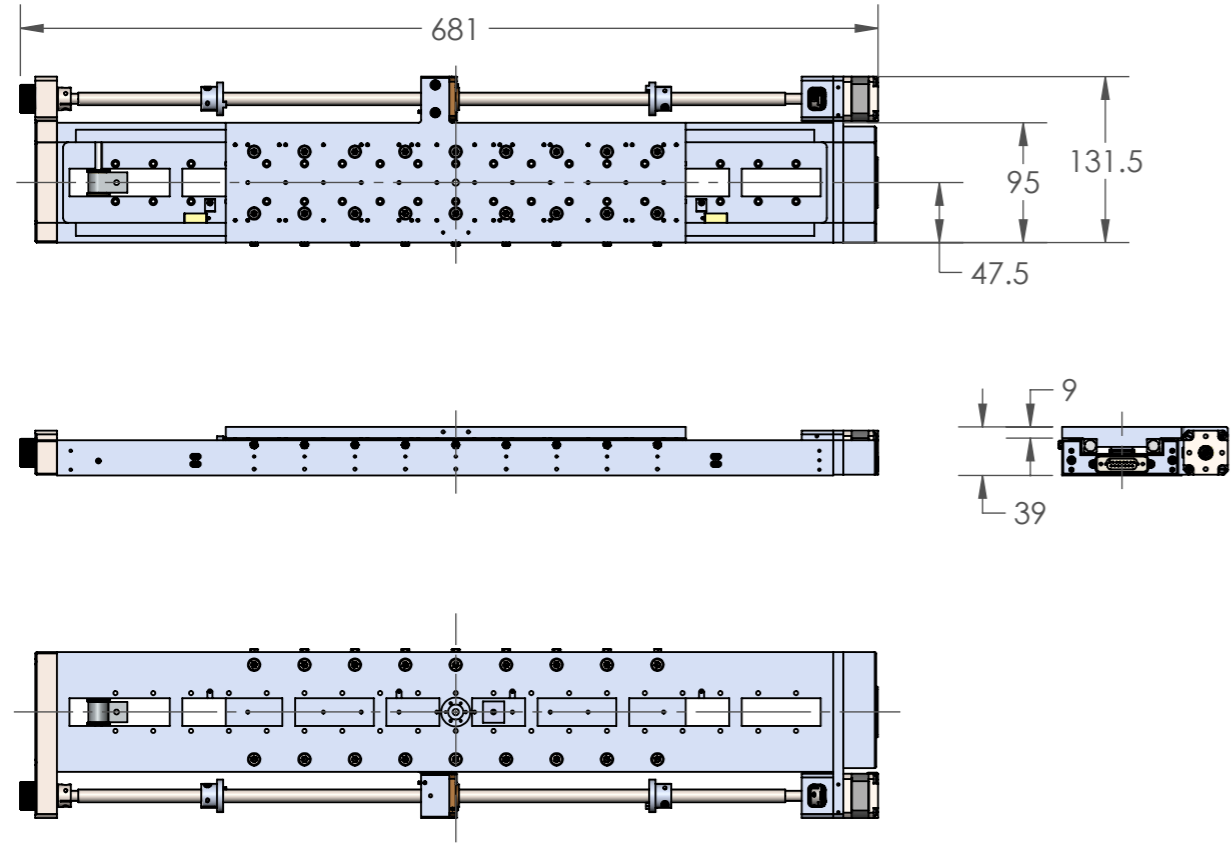
DWG NO.  
**M19-008A**

FINISH:

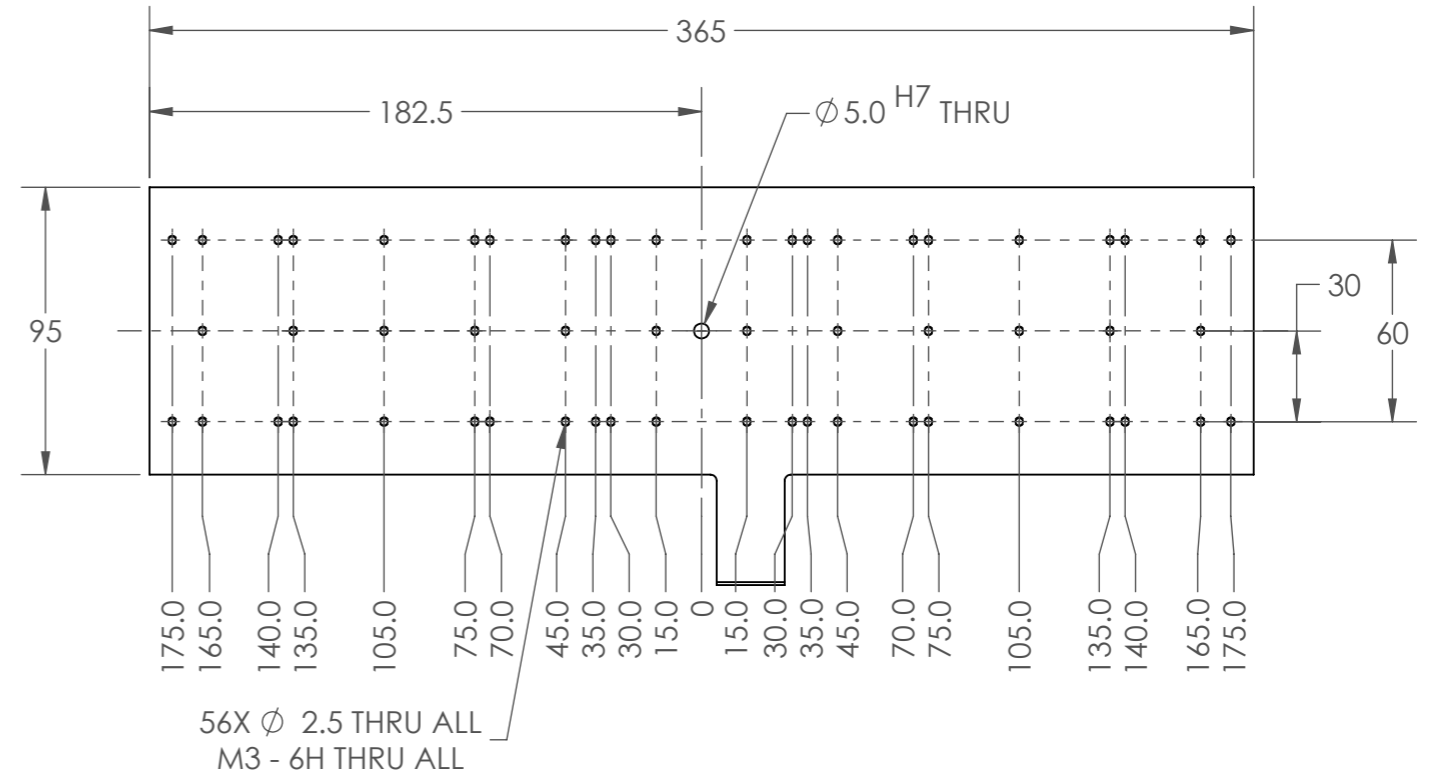
DRAWN JWC

ZONE	REV.	DESCRIPTION	DATE	APPROVED
	A	Release	11/12/2025	
REVISIONS				

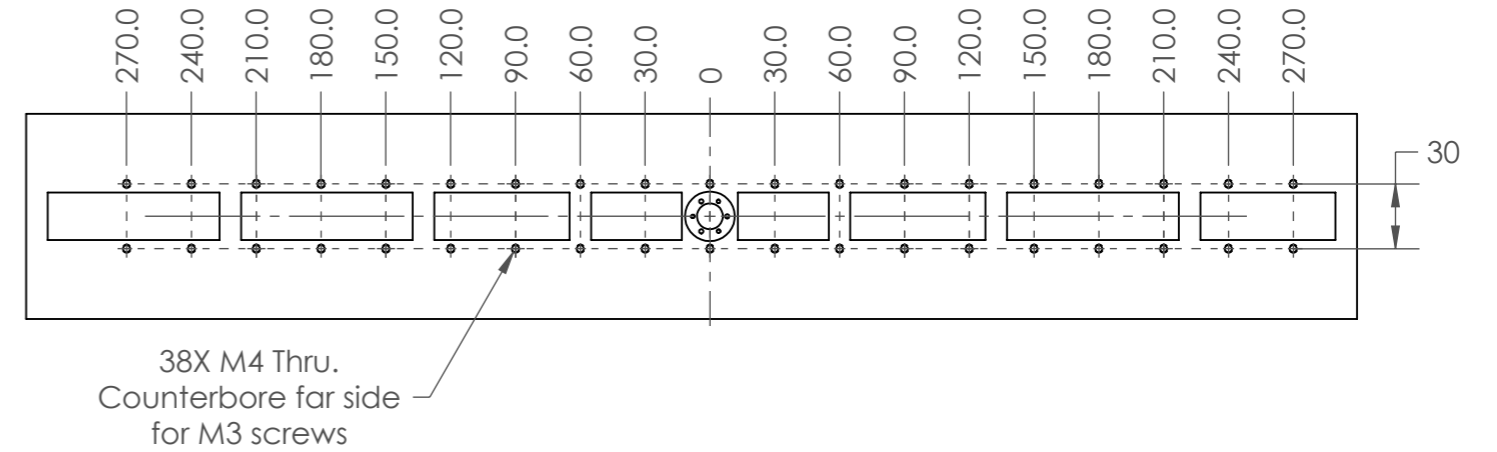
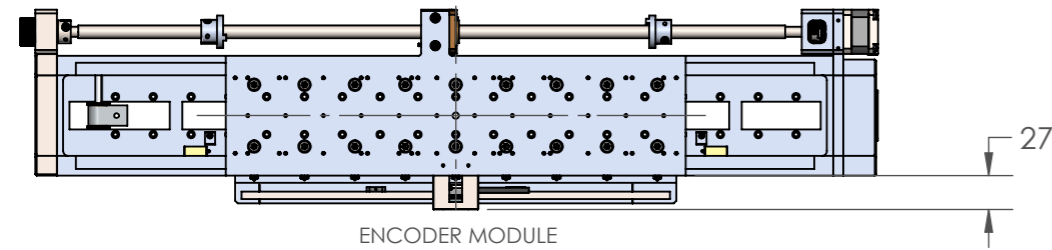
VSM19-X-300



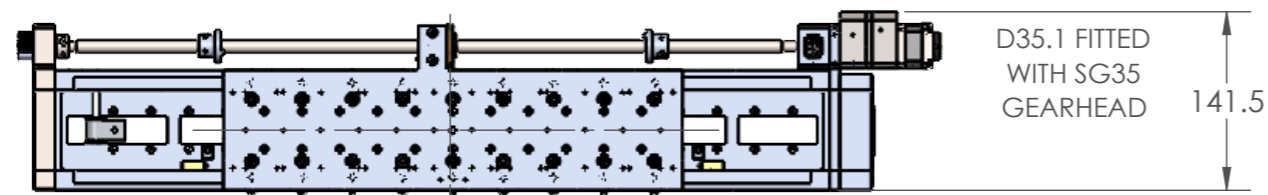
CARRIAGE MOUNTING DIMENSIONS



VSM19-X-300-ER



VSM19-X-300-HR



ZONE	REV.	DESCRIPTION	DATE	APPROVED
	A	Release	11/12/2025	
REVISIONS				

This drawing / document is copyright and the property of Arun Microelectronics Ltd. It must not be copied (in whole or in part), used for manufacture or otherwise disclosed without prior written consent of the company  
©Arun Microelectronics Ltd. 2025

All materials and / or components must comply with ROHS requirements

MATERIAL:

FINISH:

**am** Arun Microelectronics Ltd.

UNLESS OTHERWISE SPECIFIED

DIMENSIONS ARE IN:- mm

TOLERANCES:  
ONE PLACE DECIMAL ±0.25  
TWO PLACE DECIMAL ±0.10

General geometrical tolerances in accordance with ISO 2768-K

TITLE:  
**VSM19-X-300 GA**

DWG NO.  
**M19-009A**

DRAWN JWC

THIRD ANGLE PROJECTION

DO NOT SCALE DRAWING

SHEET 1 OF 1