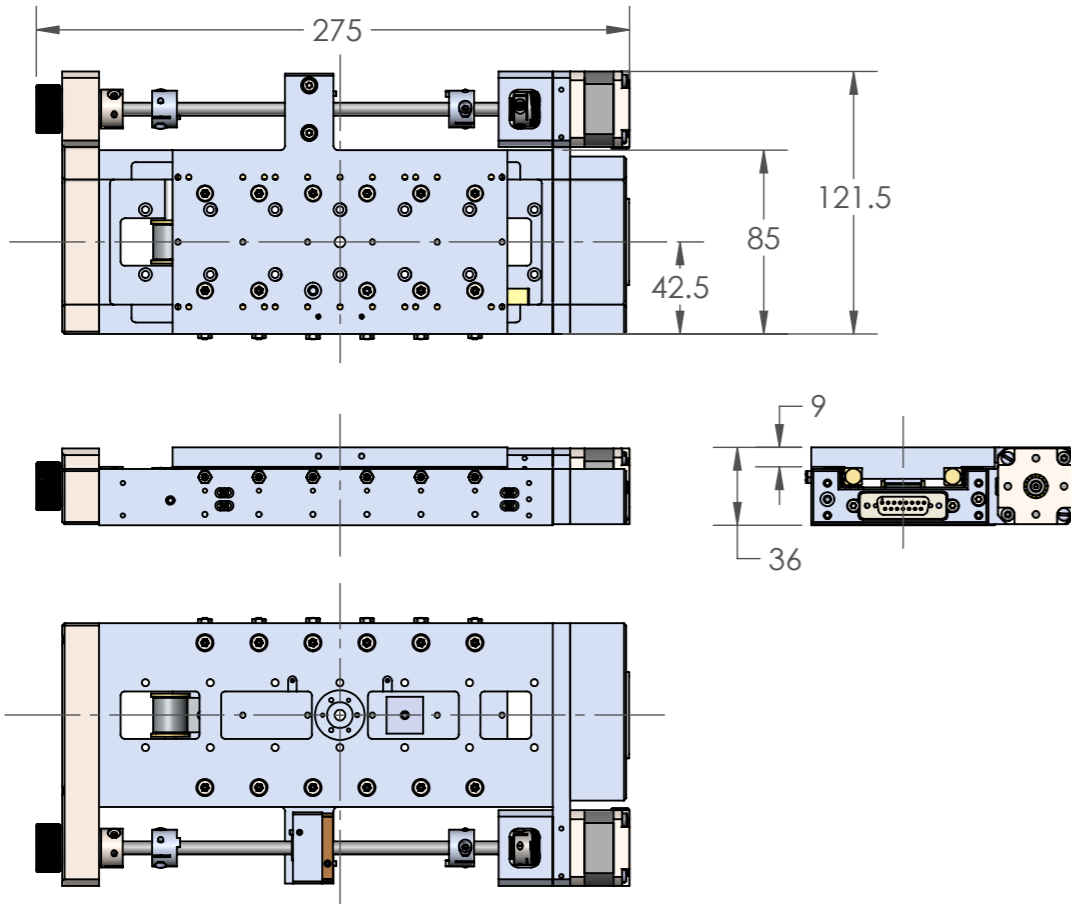
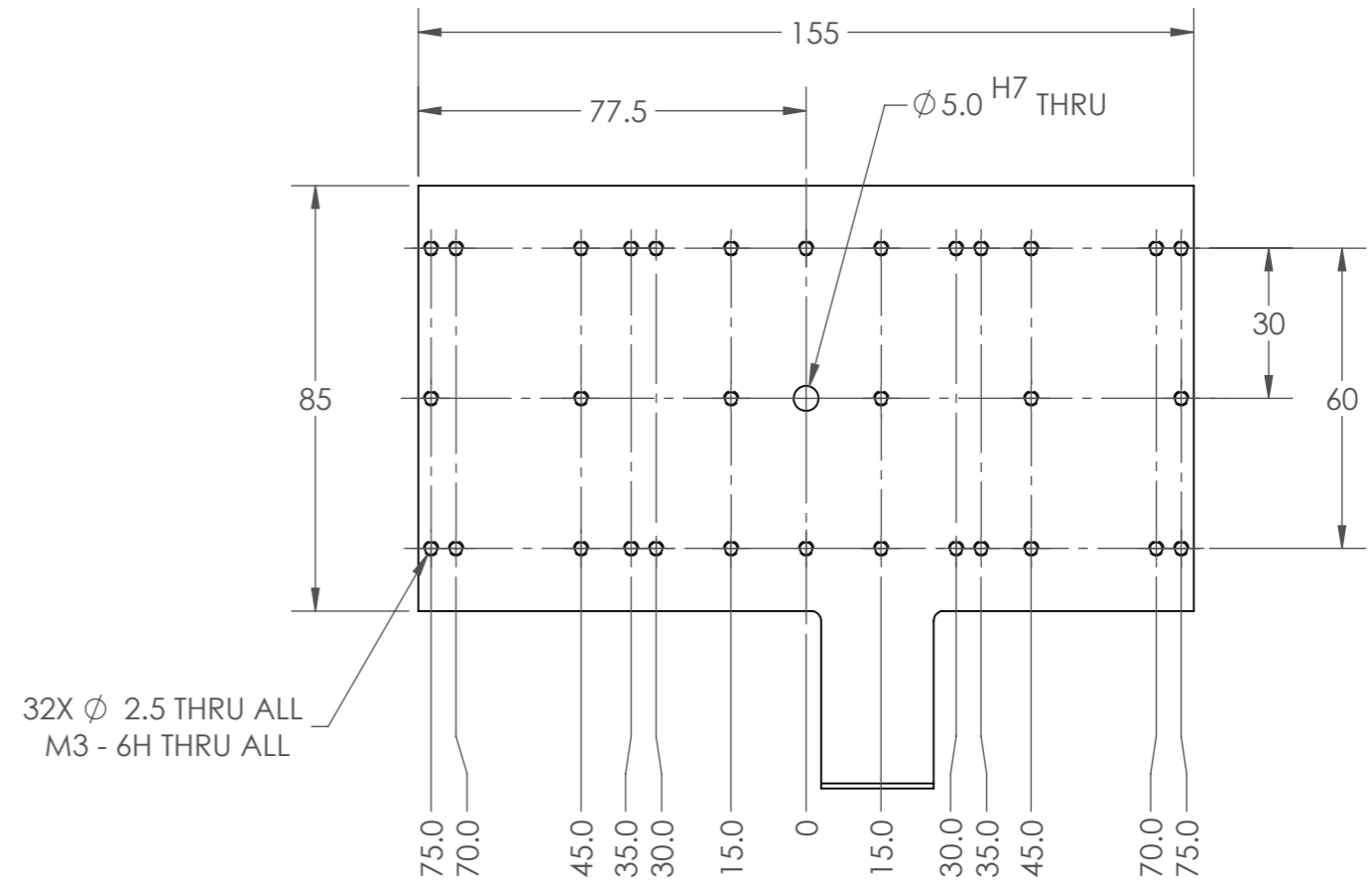


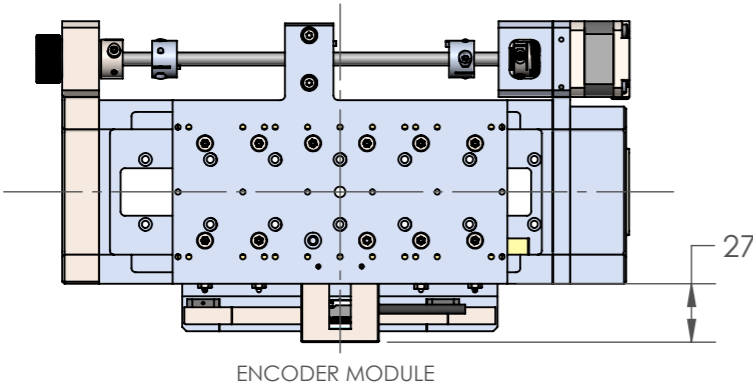
VSM19-X-100



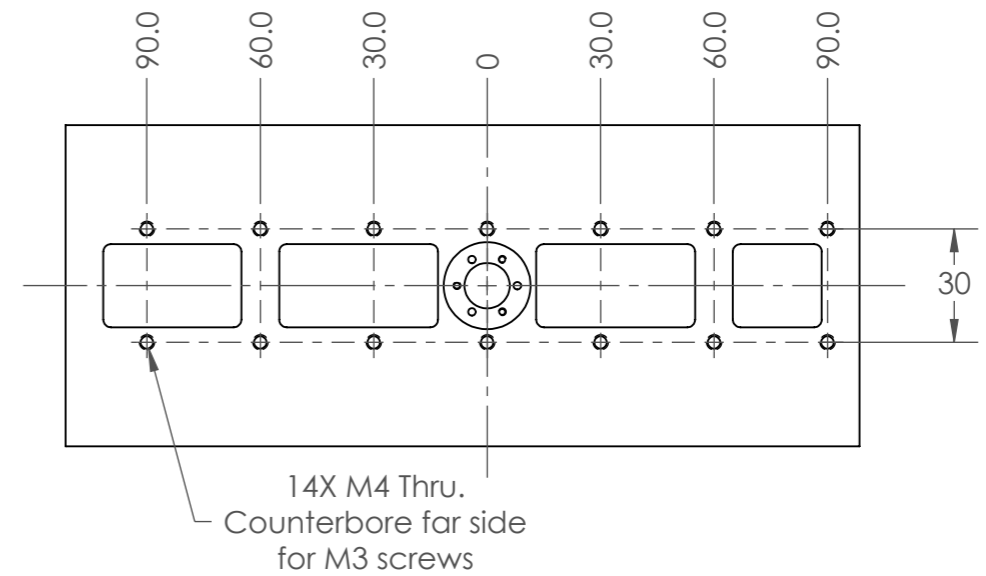
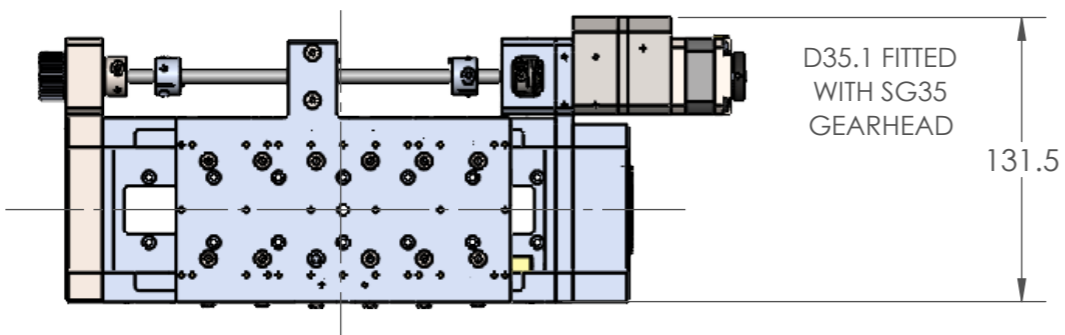
CARRIAGE MOUNTING DIMENSIONS



VSM19-X-100-ER



VSM19-X-100-HR

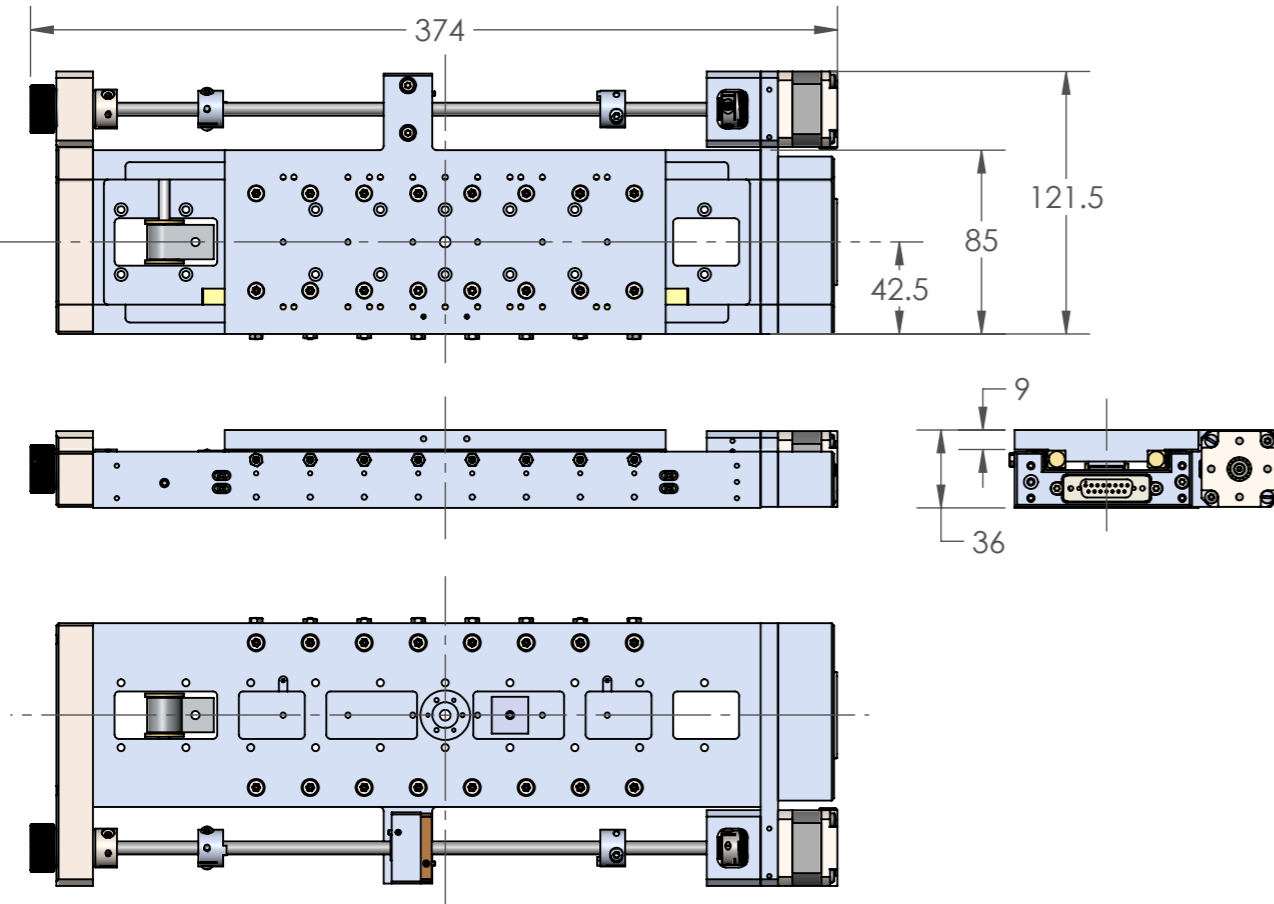


This drawing / document is copyright and the property of Arun Microelectronics Ltd. It must not be copied (in whole or in part), used for manufacture or otherwise disclosed without prior written consent of the company
©Arun Microelectronics Ltd. 2025
UNLESS OTHERWISE SPECIFIED
DIMENSIONS ARE IN:- mm
TOLERANCES:
ONE PLACE DECIMAL ±0.25
TWO PLACE DECIMAL ±0.10
General geometrical tolerances in accordance with ISO 2768-K
DRAWN JWC
THIRD ANGLE PROJECTION

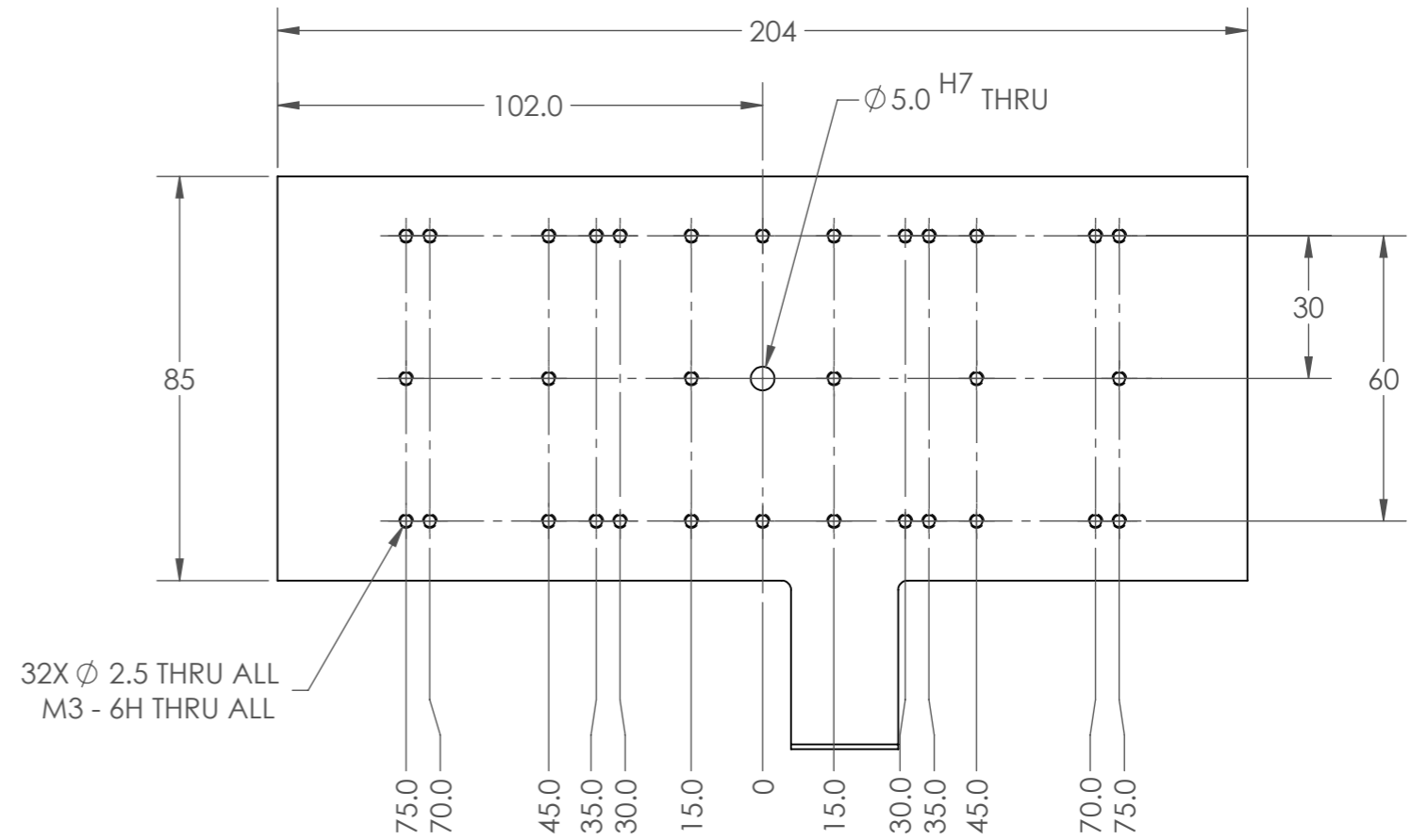
Arun Microelectronics Ltd.
TITLE:
VSM19-X-100 GA
DWG NO.
M19-005A
DO NOT SCALE DRAWING
SHEET 1 OF 1

| ZONE | REV. | DESCRIPTION | DATE | APPROVED |
|-----------|------|-------------|------------|----------|
| | A | Release | 18/11/2025 | PJB |
| REVISIONS | | | | |

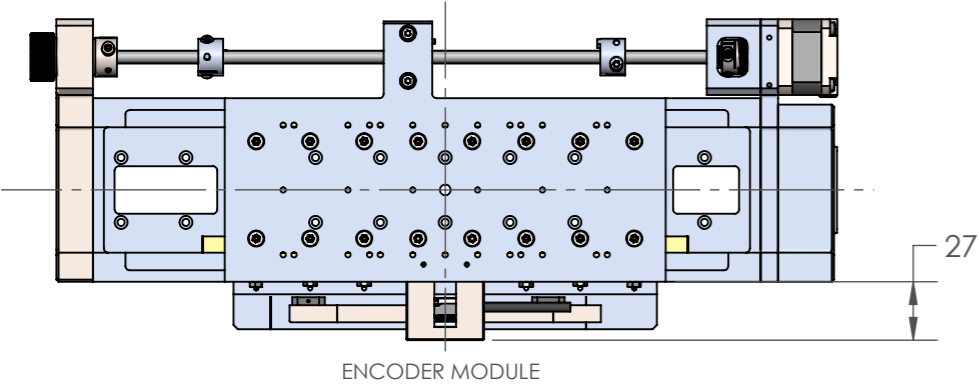
VSM19-X-150



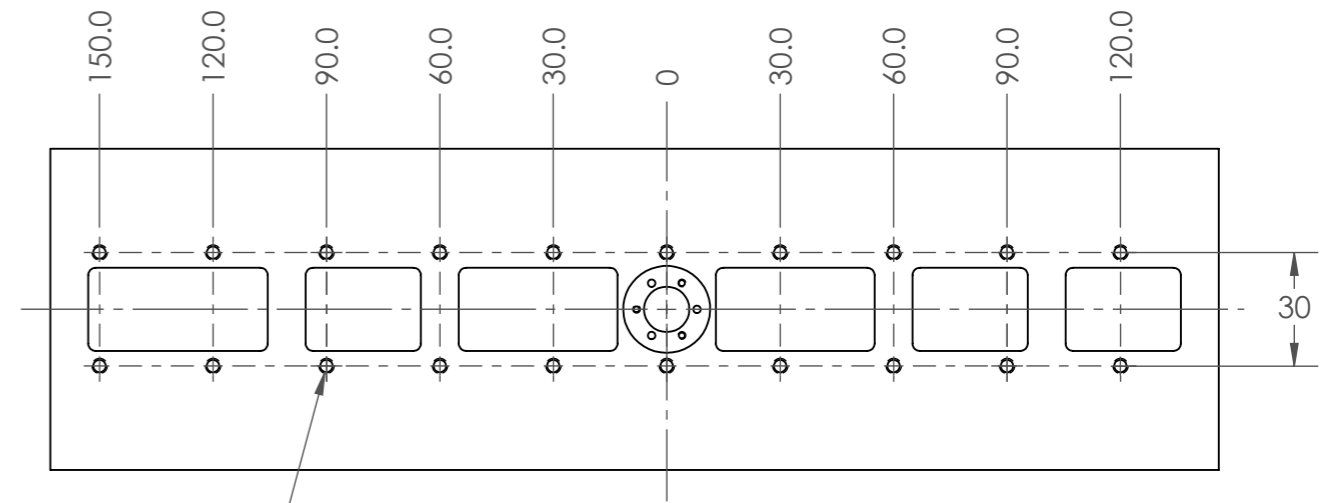
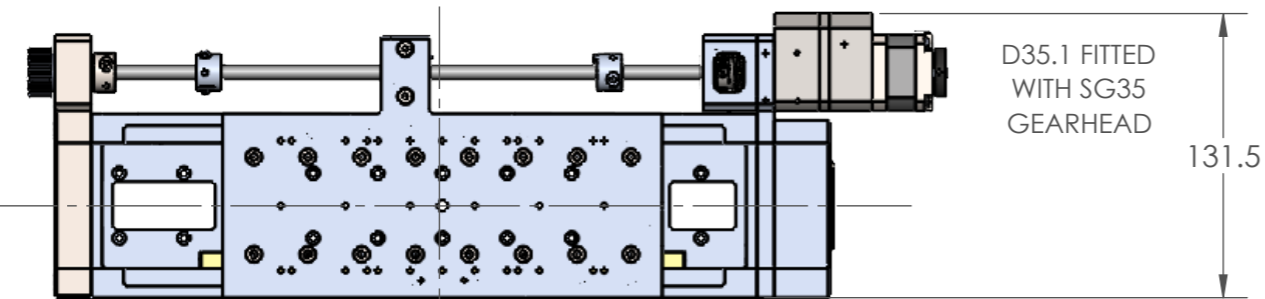
CARRIAGE MOUNTING DIMENSIONS



VSM19-X-150-ER



VSM19-X-150-HR



| | | | | |
|-----------|------|-------------|------------|----------|
| | A | Release | 11/12/2025 | |
| ZONE | REV. | DESCRIPTION | DATE | APPROVED |
| REVISIONS | | | | |

This drawing / document is copyright and the property of Arun Microelectronics Ltd. It must not be copied (in whole or in part), used for manufacture or otherwise disclosed without prior written consent of the company
©Arun Microelectronics Ltd. 2025

All materials and / or components must comply with ROHS requirements

MATERIAL:

FINISH:

aml Arun Microelectronics Ltd.

UNLESS OTHERWISE SPECIFIED

DIMENSIONS ARE IN:- mm

TOLERANCES:
ONE PLACE DECIMAL ±0.25
TWO PLACE DECIMAL ±0.10

General geometrical tolerances in accordance with ISO 2768-K

TITLE:
VSM19-X-150 GA

DWG NO.
M19-006A

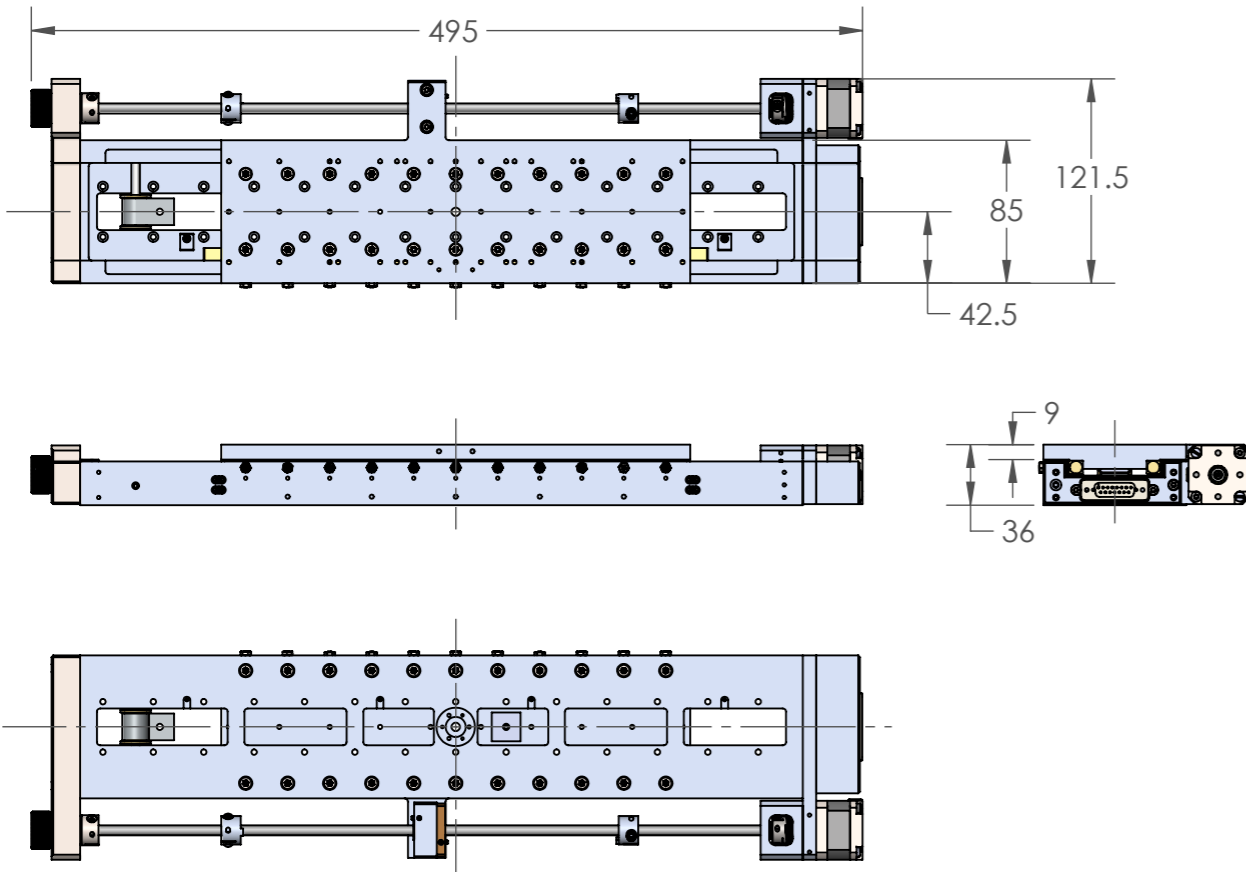
DRAWN JWC

THIRD ANGLE PROJECTION

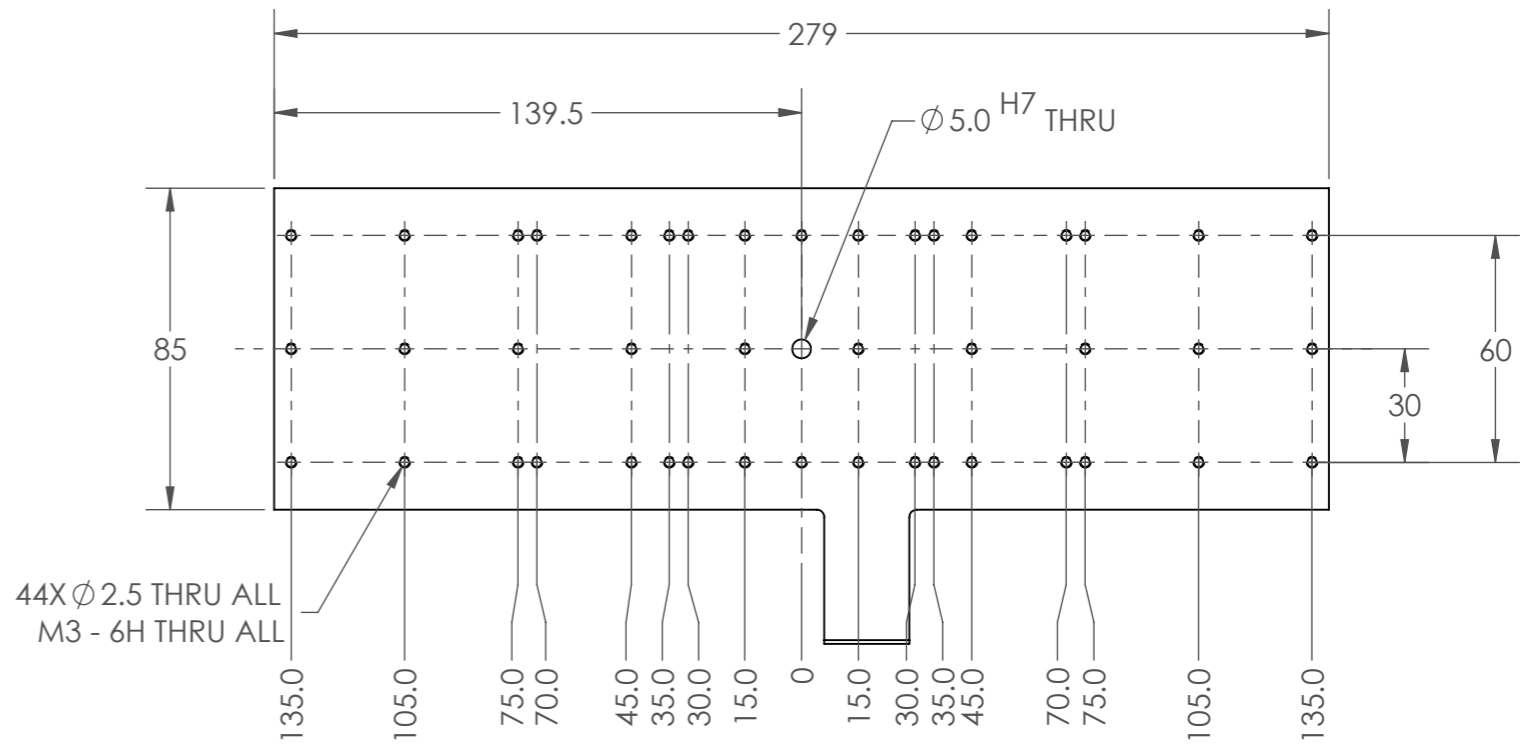
DO NOT SCALE DRAWING

SHEET 1 OF 1

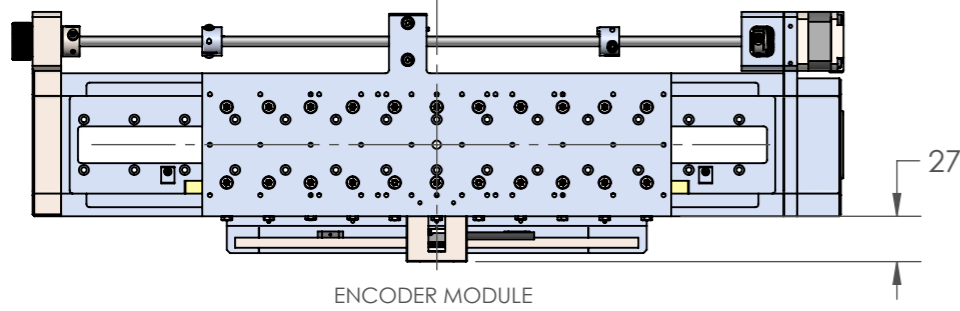
VSM19-X-200



CARRIAGE MOUNTING DIMENSIONS

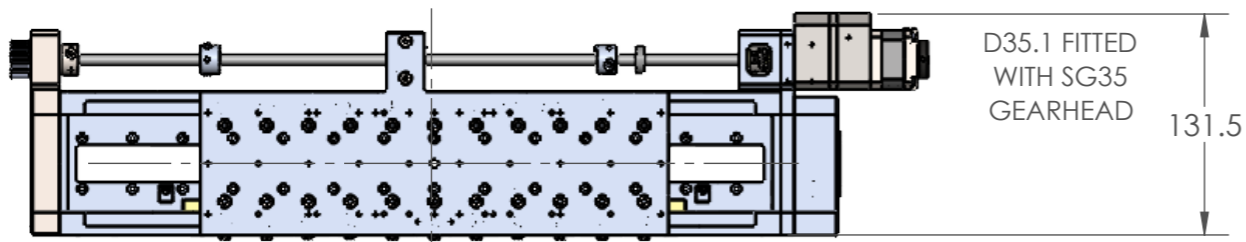


VSM19-X-200-ER

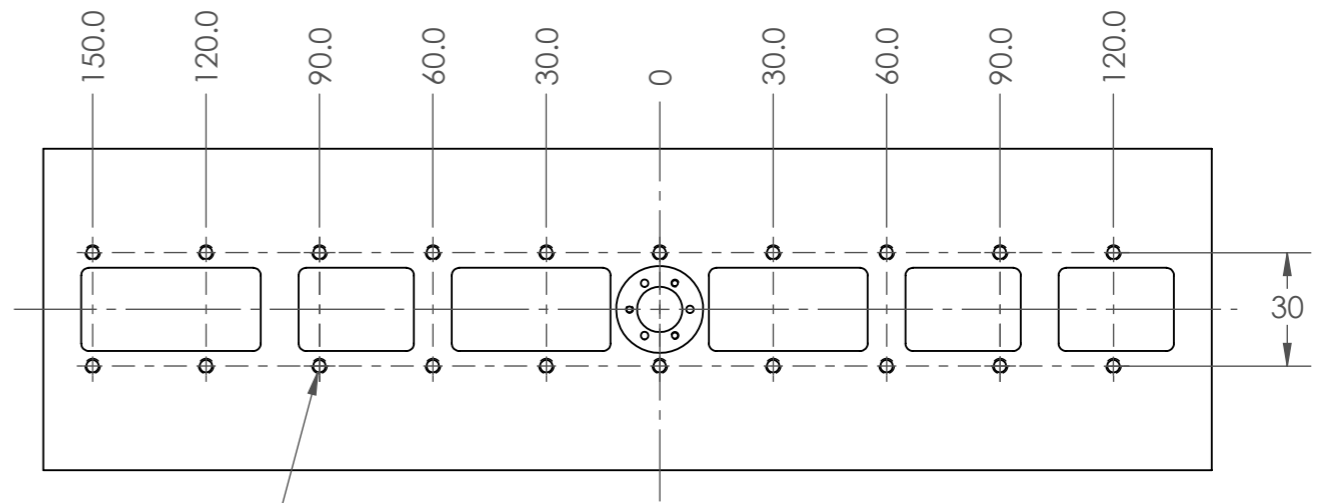


ENCODER MODULE

VSM19-X-200-HR



20X M4 Thru.
Counterbore far side
for M3 screws



| ZONE | REV. | DESCRIPTION | DATE | APPROVED |
|-----------|------|-------------|------------|----------|
| | A | Release | 11/12/2025 | |
| REVISIONS | | | | |

This drawing / document is copyright and the property of Arun Microelectronics Ltd. It must not be copied (in whole or in part), used for manufacture or otherwise disclosed without prior written consent of the company.

©Arun Microelectronics Ltd. 2025

All materials and / or components must comply with ROHS requirements

MATERIAL:

TOLERANCES:
ONE PLACE DECIMAL ±0.25
TWO PLACE DECIMAL ±0.10

General geometrical tolerances in accordance with ISO 2768-K

FINISH:

aml Arun Microelectronics Ltd.

UNLESS OTHERWISE SPECIFIED

TITLE: **VSM19-X-200 GA**

DIMENSIONS ARE IN:- mm

DWG NO. **M19-007A**

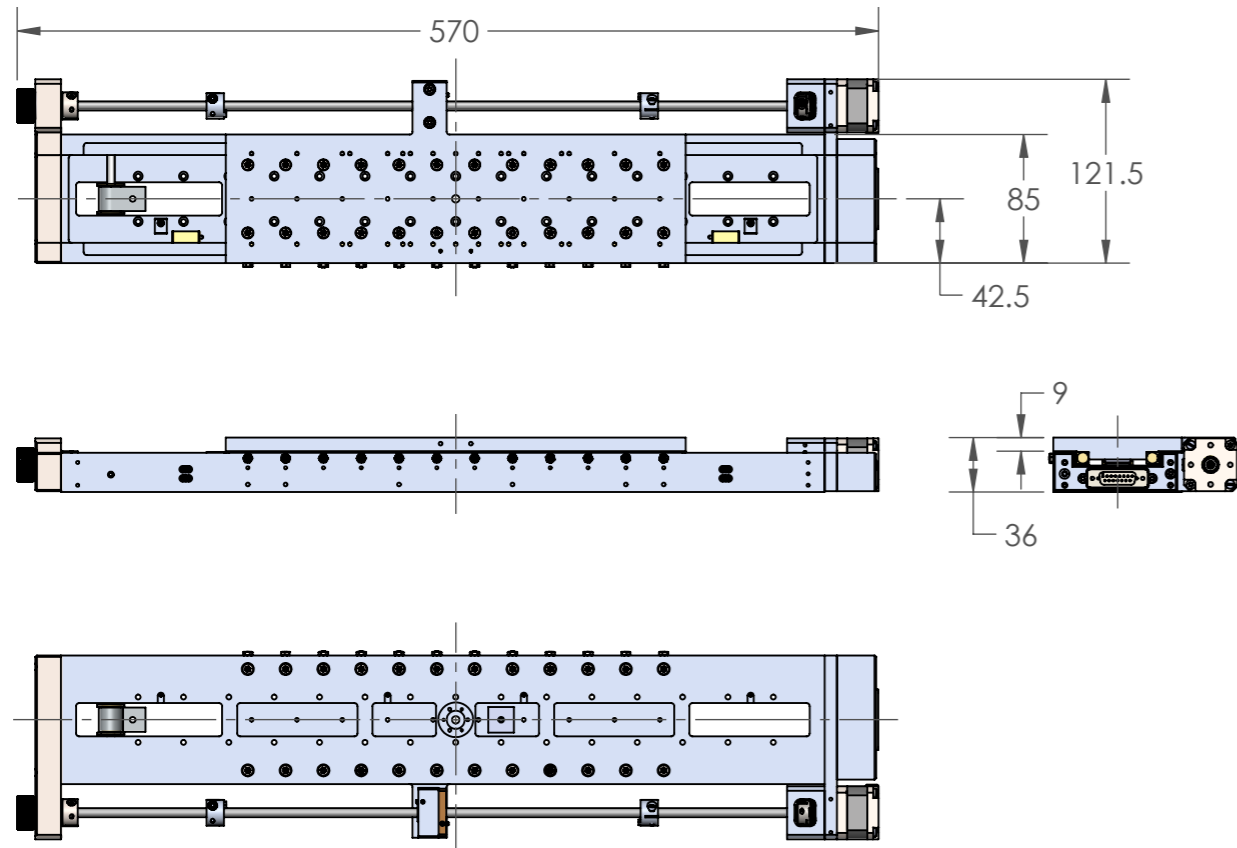
DRAWN **JWC**

THIRD ANGLE PROJECTION

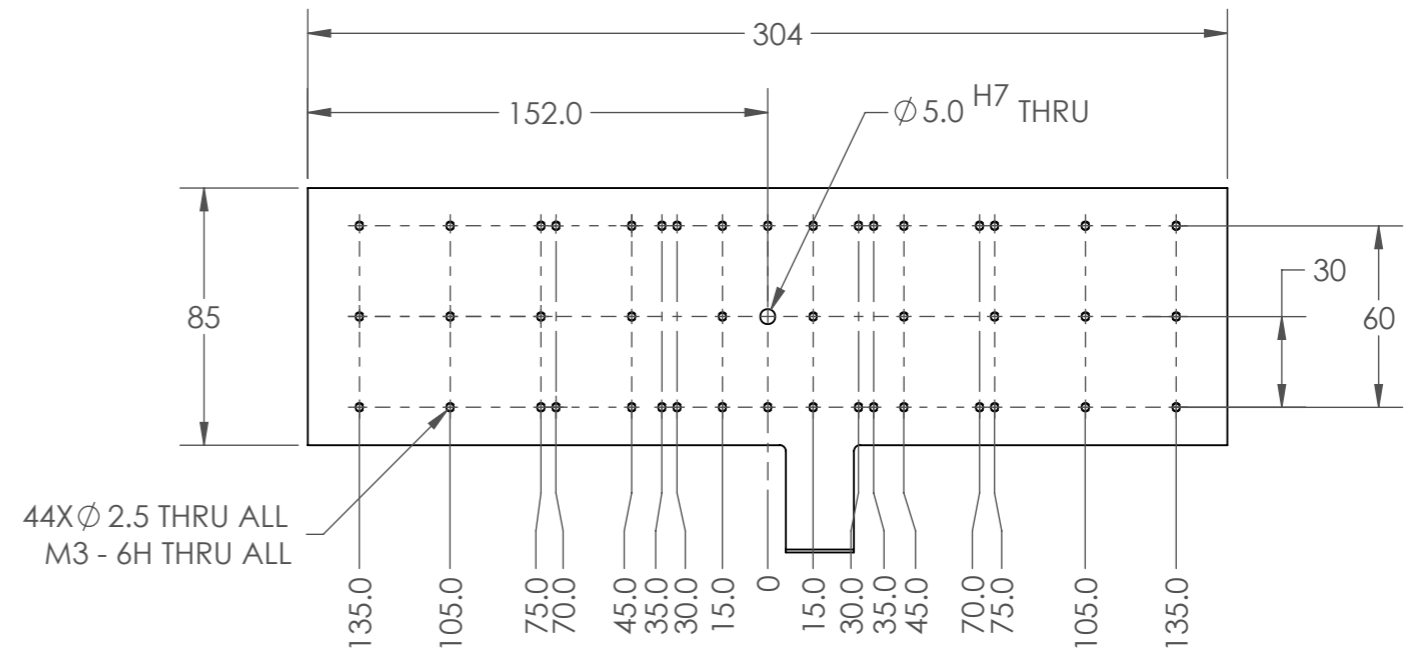
DO NOT SCALE DRAWING

SHEET 1 OF 1

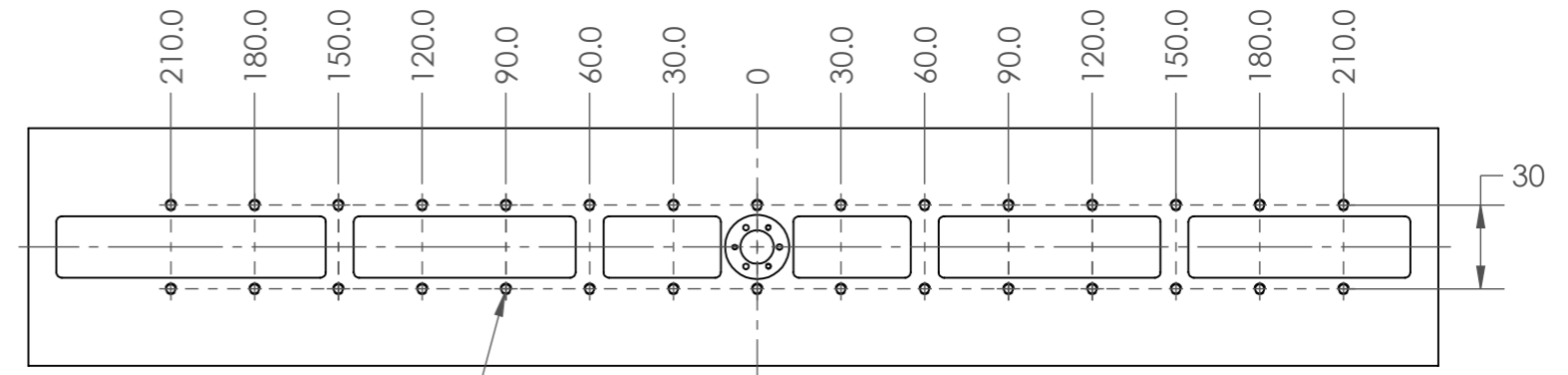
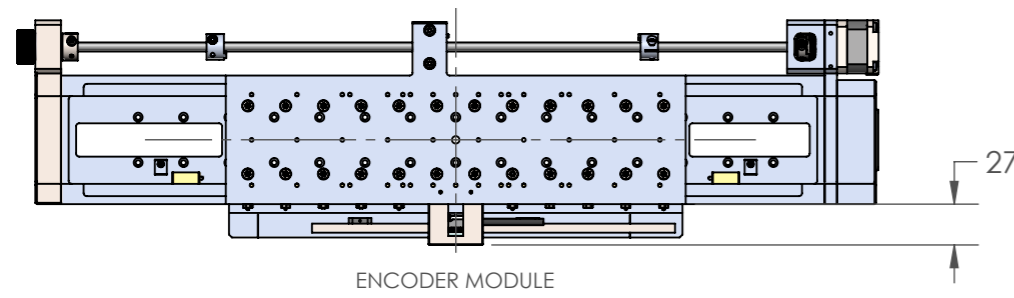
VSM19-X-250



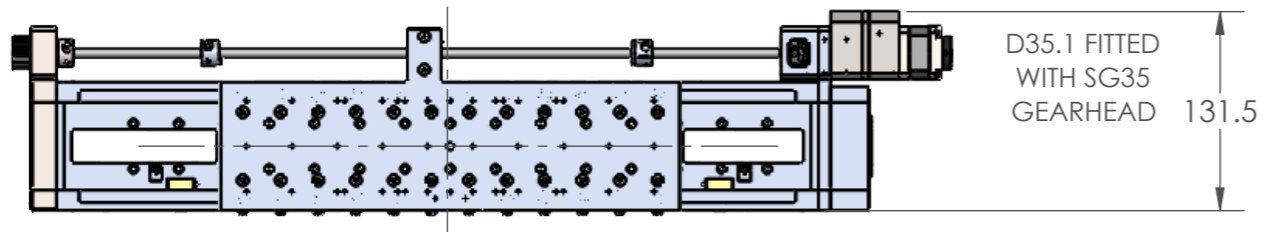
CARRIAGE MOUNTING DIMENSIONS



VSM19-X-250-ER



VSM19-X-250-HR



30X M4 Thru.
Counterbore far side
for M3 screws

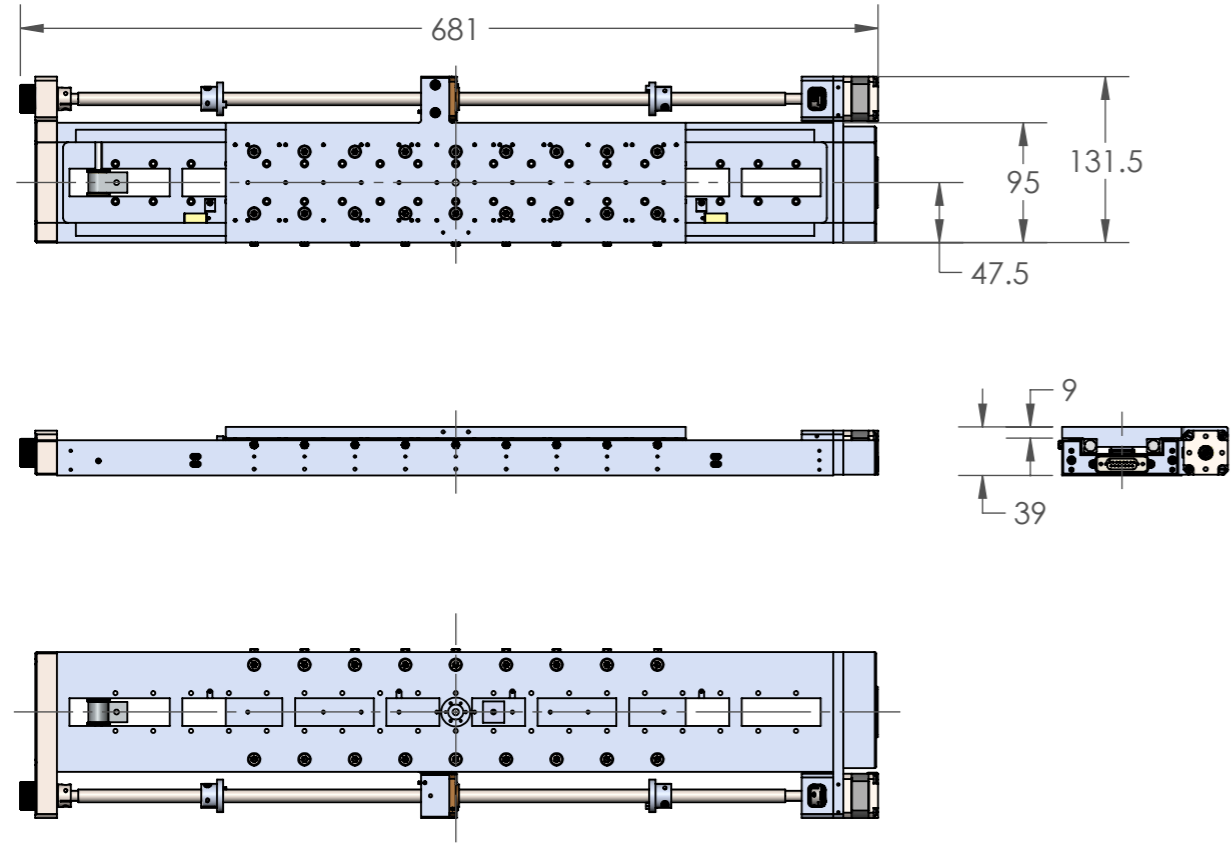
| ZONE | REV. | DESCRIPTION | DATE | APPROVED |
|-----------|---------|-------------|------------|----------|
| A | Release | | 11/12/2025 | |
| REVISIONS | | | | |

This drawing / document is copyright and the property of Arun Microelectronics Ltd. It must not be copied (in whole or in part), used for manufacture or otherwise disclosed without prior written consent of the company.
©Arun Microelectronics Ltd. 2025
All materials and / or components must comply with ROHS requirements
MATERIAL:
FINISH:

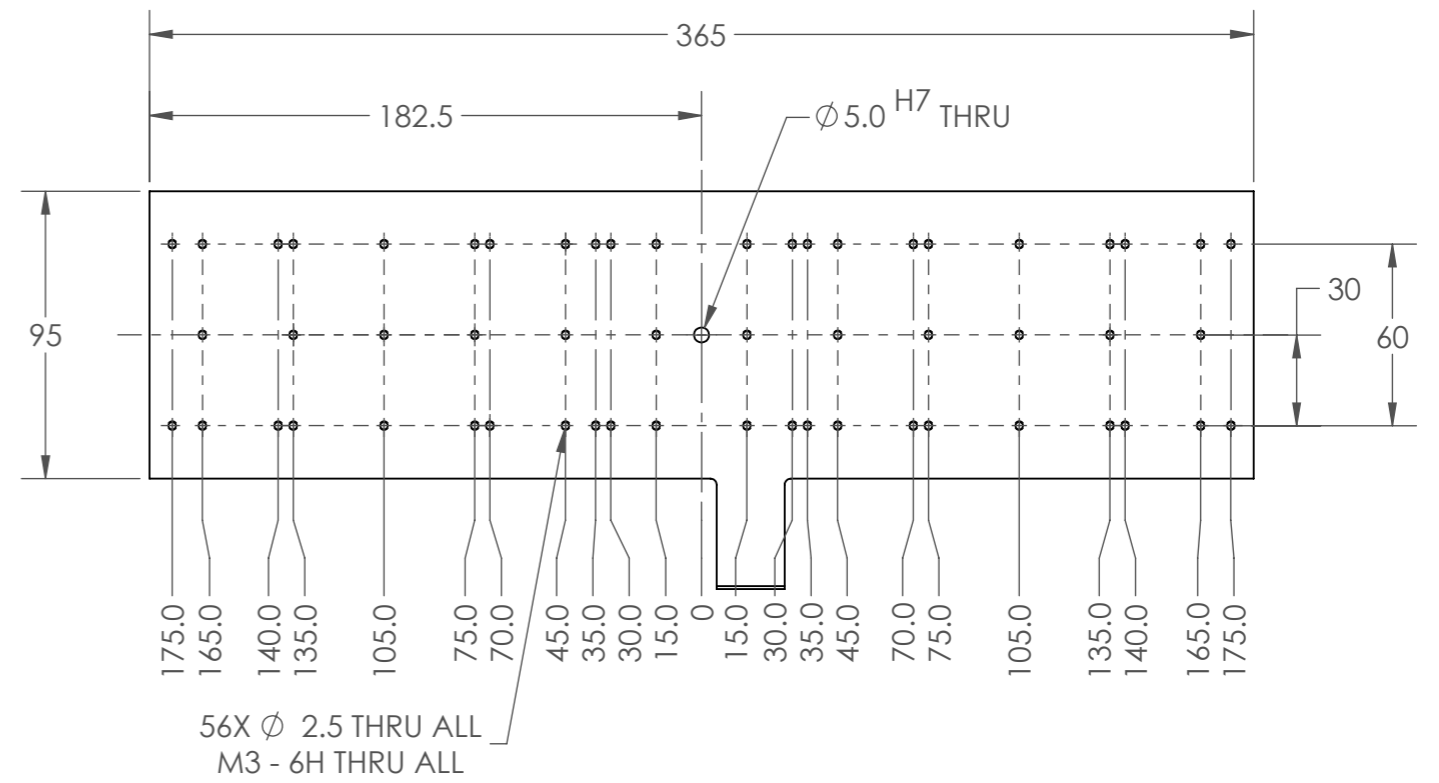
UNLESS OTHERWISE SPECIFIED
DIMENSIONS ARE IN:- mm
TOLERANCES:
ONE PLACE DECIMAL ±0.25
TWO PLACE DECIMAL ±0.10
General geometrical tolerances in accordance with ISO 2768-K
DRAWN JWC
THIRD ANGLE PROJECTION

Arun Microelectronics Ltd.
TITLE:
VSM19-X-250 GA
DWG NO.
M19-008A

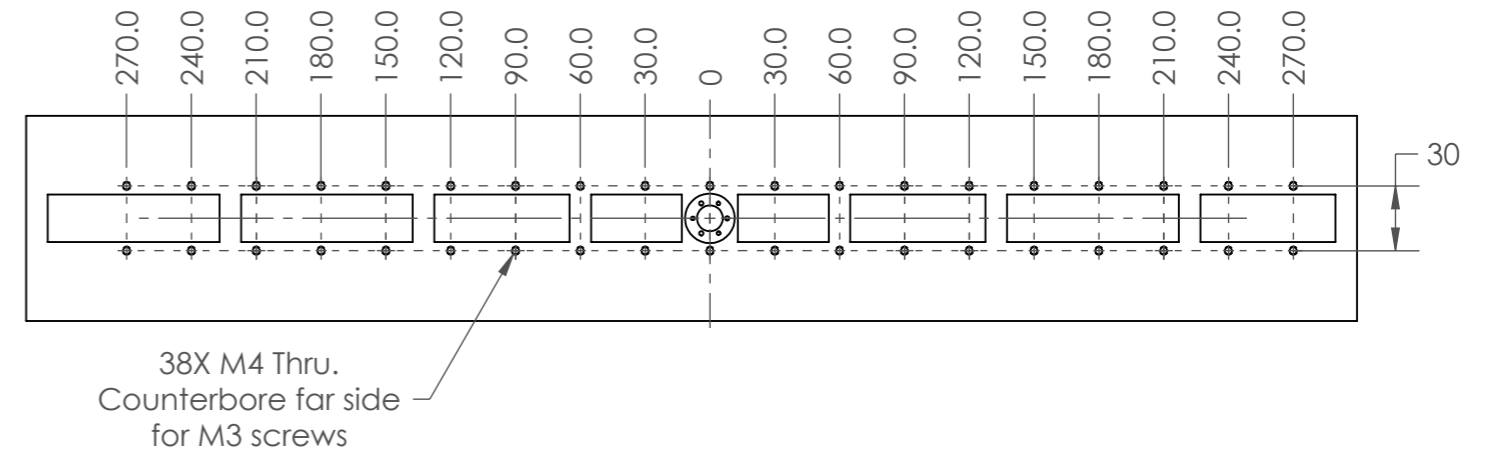
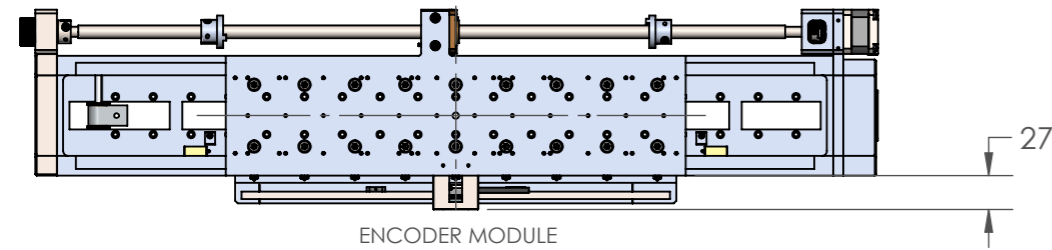
VSM19-X-300



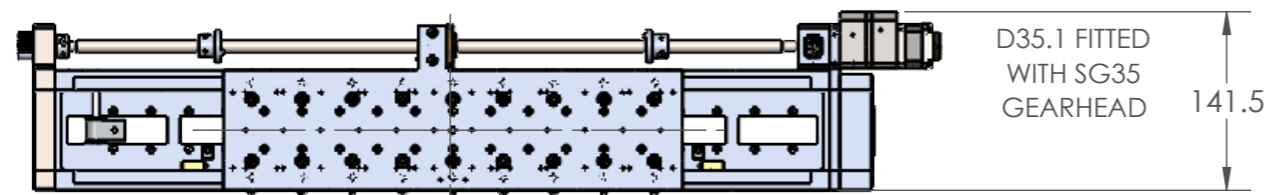
CARRIAGE MOUNTING DIMENSIONS



VSM19-X-300-ER



VSM19-X-300-HR



| ZONE | REV. | DESCRIPTION | DATE | APPROVED |
|-----------|------|-------------|------------|----------|
| | A | Release | 11/12/2025 | |
| REVISIONS | | | | |

This drawing / document is copyright and the property of Arun Microelectronics Ltd. It must not be copied (in whole or in part), used for manufacture or otherwise disclosed without prior written consent of the company
©Arun Microelectronics Ltd. 2025

All materials and / or components must comply with ROHS requirements

MATERIAL:

FINISH:



Arun Microelectronics Ltd.

UNLESS OTHERWISE SPECIFIED

DIMENSIONS ARE IN:- mm

TOLERANCES:
ONE PLACE DECIMAL ±0.25
TWO PLACE DECIMAL ±0.10

General geometrical tolerances in accordance with ISO 2768-K

TITLE:

VSM19-X-300 GA

DWG NO.

M19-009A

DRAWN

JWC

THIRD ANGLE PROJECTION

DO NOT SCALE DRAWING

SHEET 1 OF 1