

ZONE	REV.	DESCRIPTION	DATE	APPROVED
	B	Version 2.	25/01/2024	
	A	Release	30/01/2023	
REVISIONS				

This drawing / document is copyright and the property of Arun Microelectronics Ltd. It must not be copied (in whole or in part), used for manufacture or otherwise disclosed without prior written consent of the company.
 ©Arun Microelectronics Ltd. 2023

Arun Microelectronics Ltd.

UNLESS OTHERWISE SPECIFIED
 DIMENSIONS ARE IN:- mm

TITLE:
VSM17-X-050 GA

TOLERANCES:
 ONE PLACE DECIMAL ±0.25
 TWO PLACE DECIMAL ±0.10

General geometrical tolerances in accordance with ISO 2768-K

DWG NO.
M17-006B

FINISH:

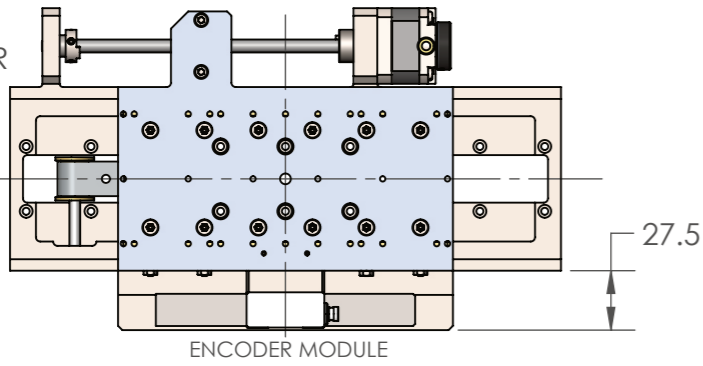
DRAWN **VW**

THIRD ANGLE PROJECTION

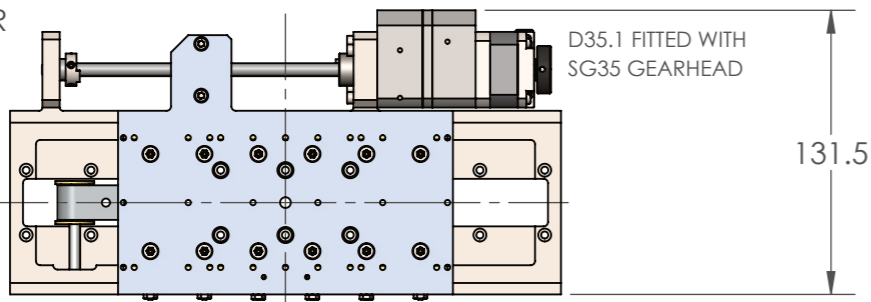
DO NOT SCALE DRAWING

SHEET 1 OF 1

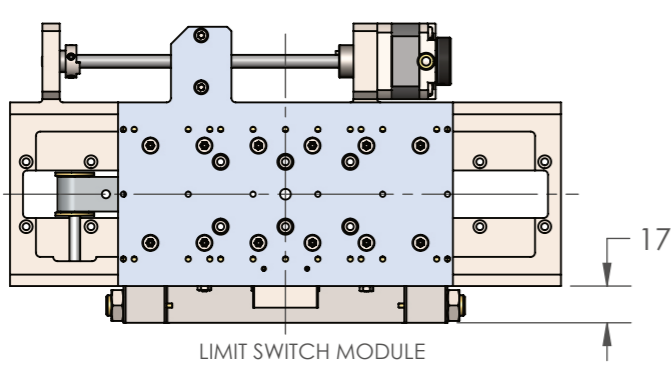
VSM17-X-100-ER



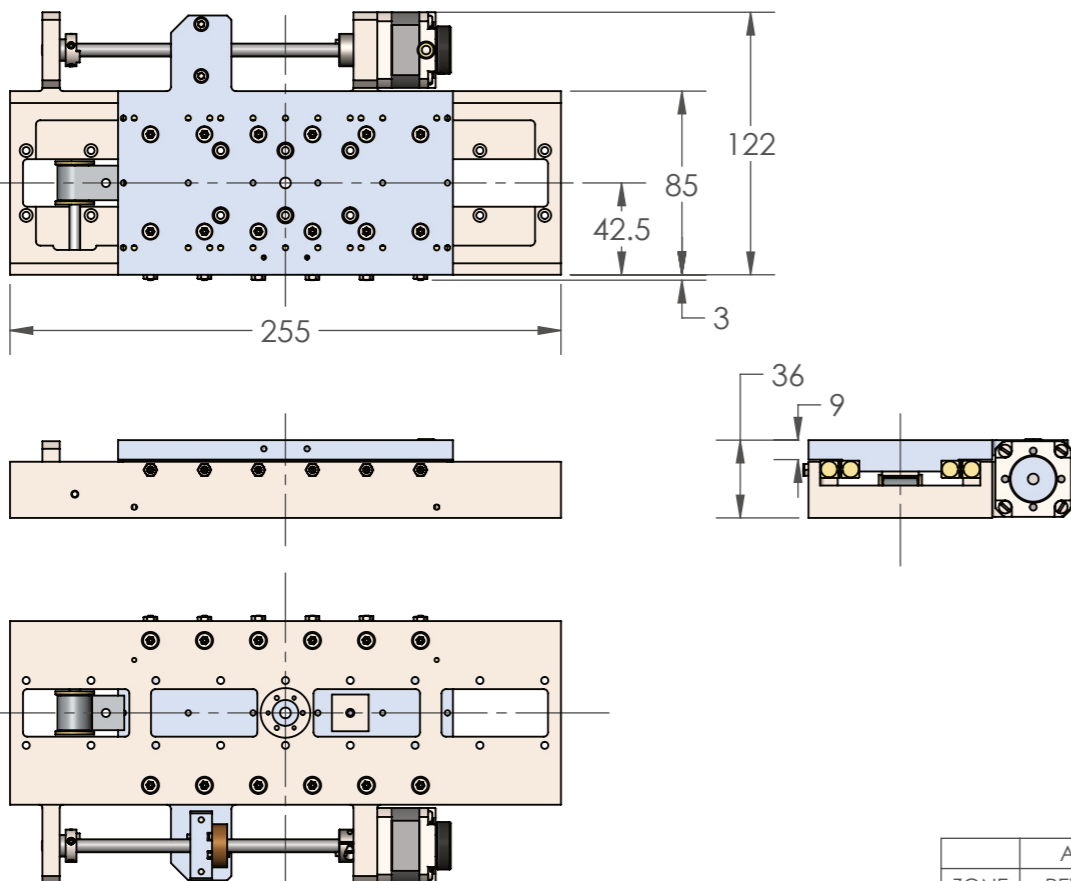
VSM17-X-100-HR



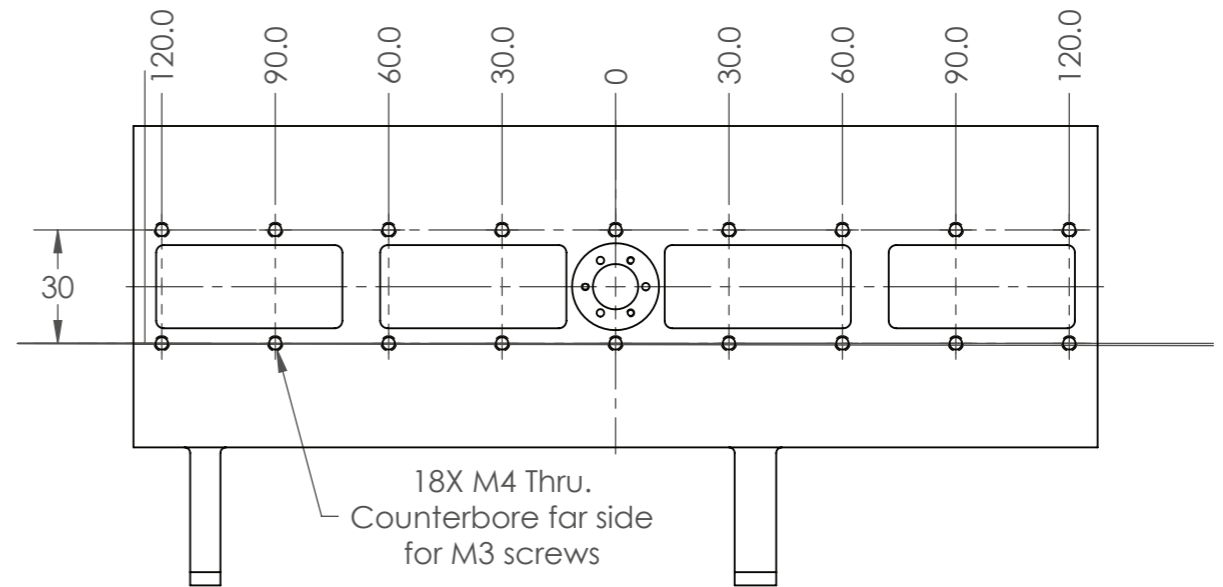
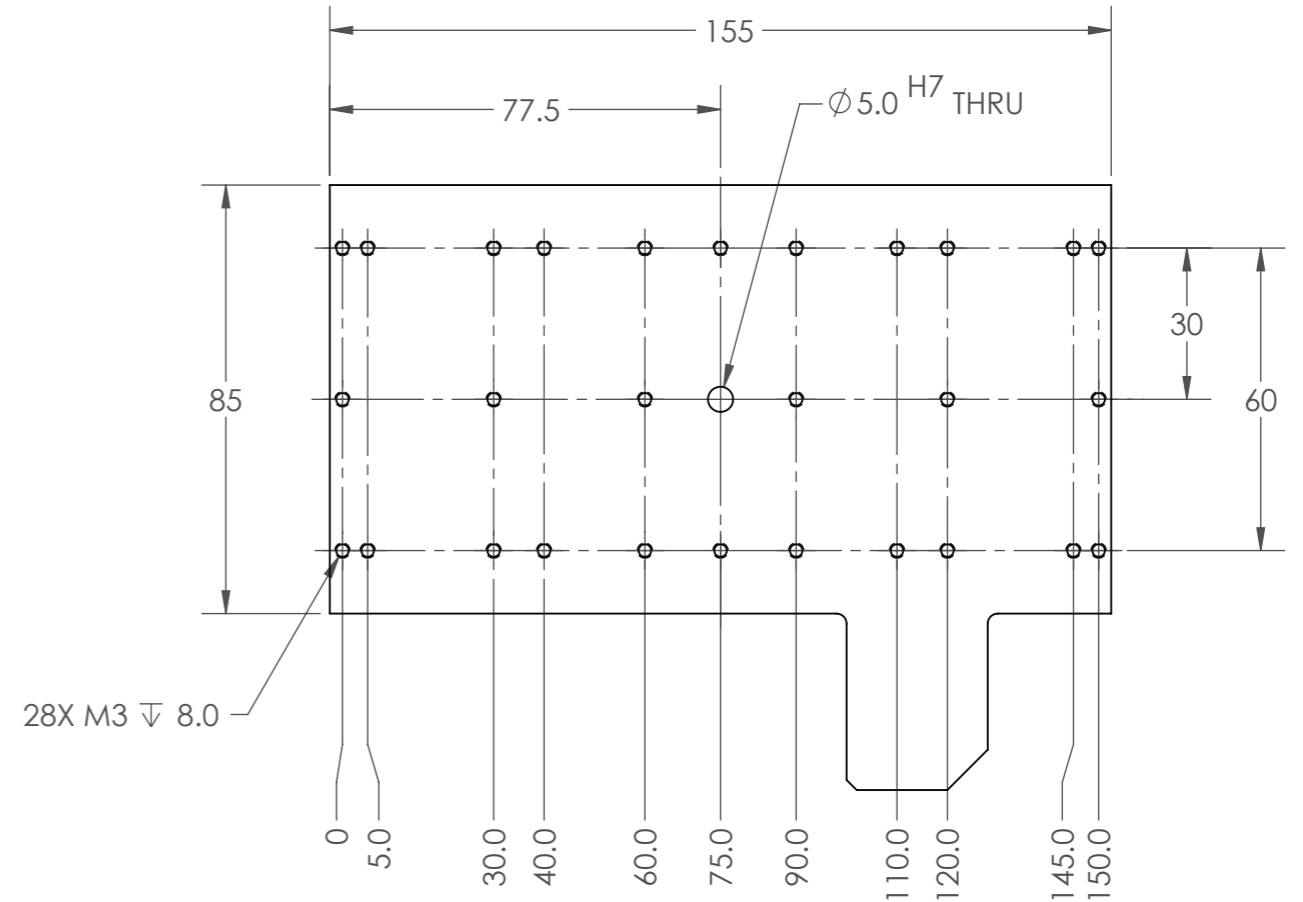
VSM17-X-100-LS



VSM17-X-100



CARRIAGE MOUNTING DIMENSIONS



This drawing / document is copyright and the property of Arun Microelectronics Ltd. It must not be copied (in whole or in part), used for manufacture or otherwise disclosed without prior written consent of the company

©Arun Microelectronics Ltd. 2023

All materials and / or components must comply with ROHS requirements

MATERIAL:

FINISH:



Arun Microelectronics Ltd.

UNLESS OTHERWISE SPECIFIED

DIMENSIONS ARE IN:- mm

TOLERANCES:
ONE PLACE DECIMAL ± 0.25
TWO PLACE DECIMAL ± 0.10

General geometrical tolerances in accordance with ISO 2768-K

TITLE:

VSM17-X-100 GA

DWG NO.

M17-005A

ZONE	REV.	DESCRIPTION	DATE	APPROVED
A	Release		30/01/2023	
REVISIONS				

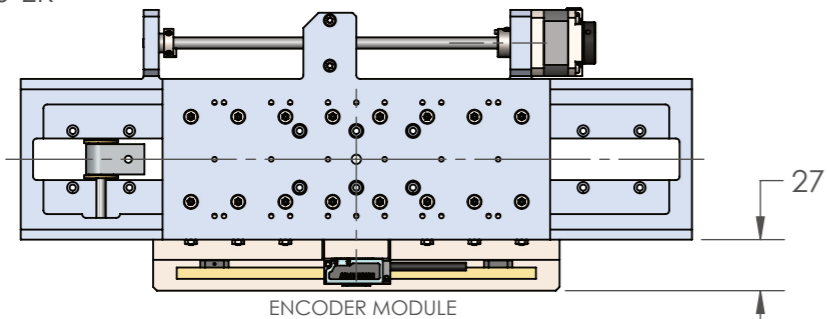
DRAWN VW

THIRD ANGLE PROJECTION

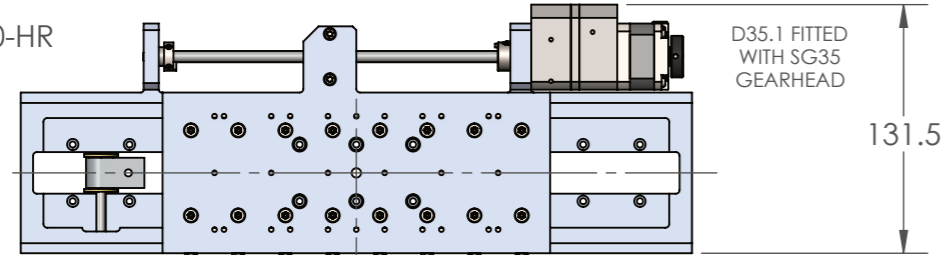
DO NOT SCALE DRAWING

SHEET 1 OF 1

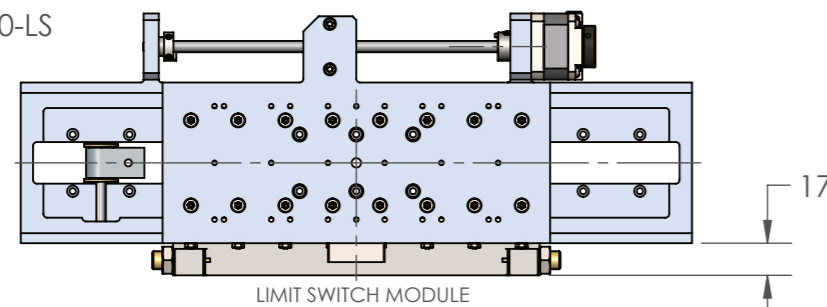
VSM17-X-150-ER



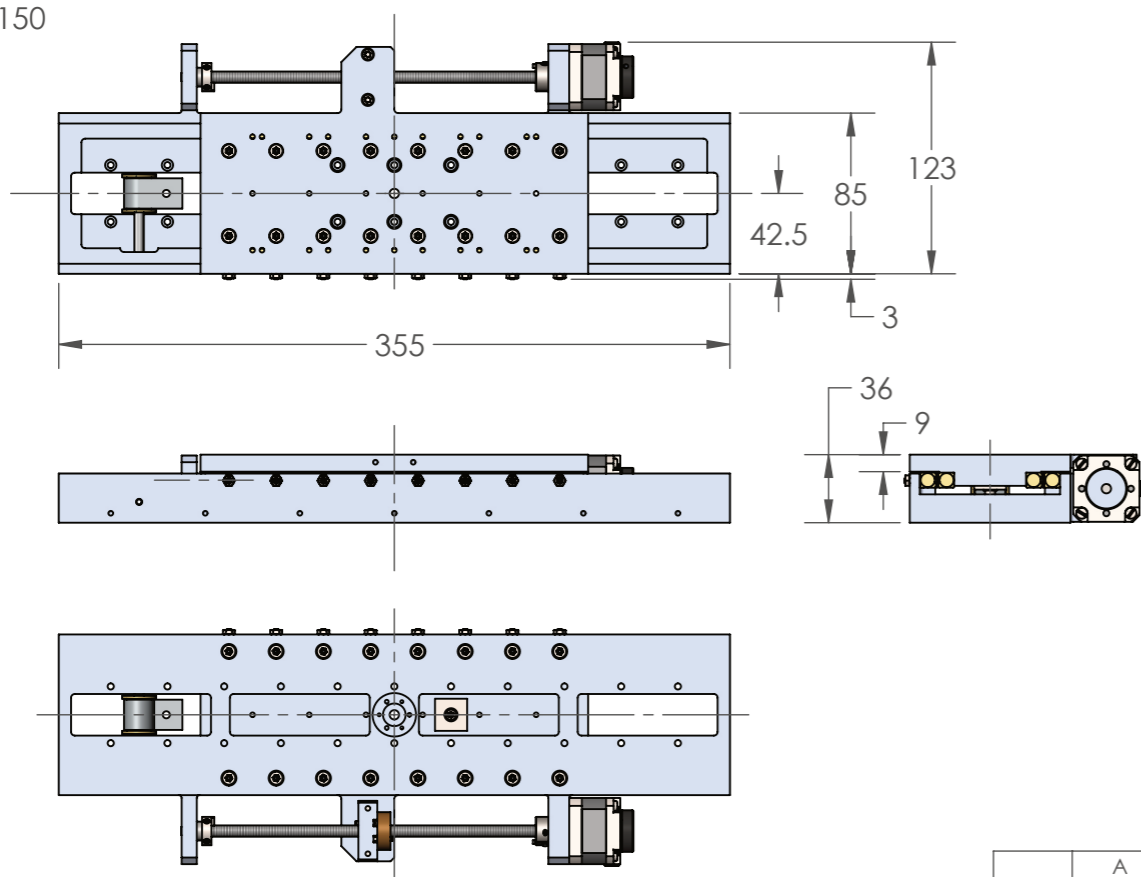
VSM17-X-150-HR



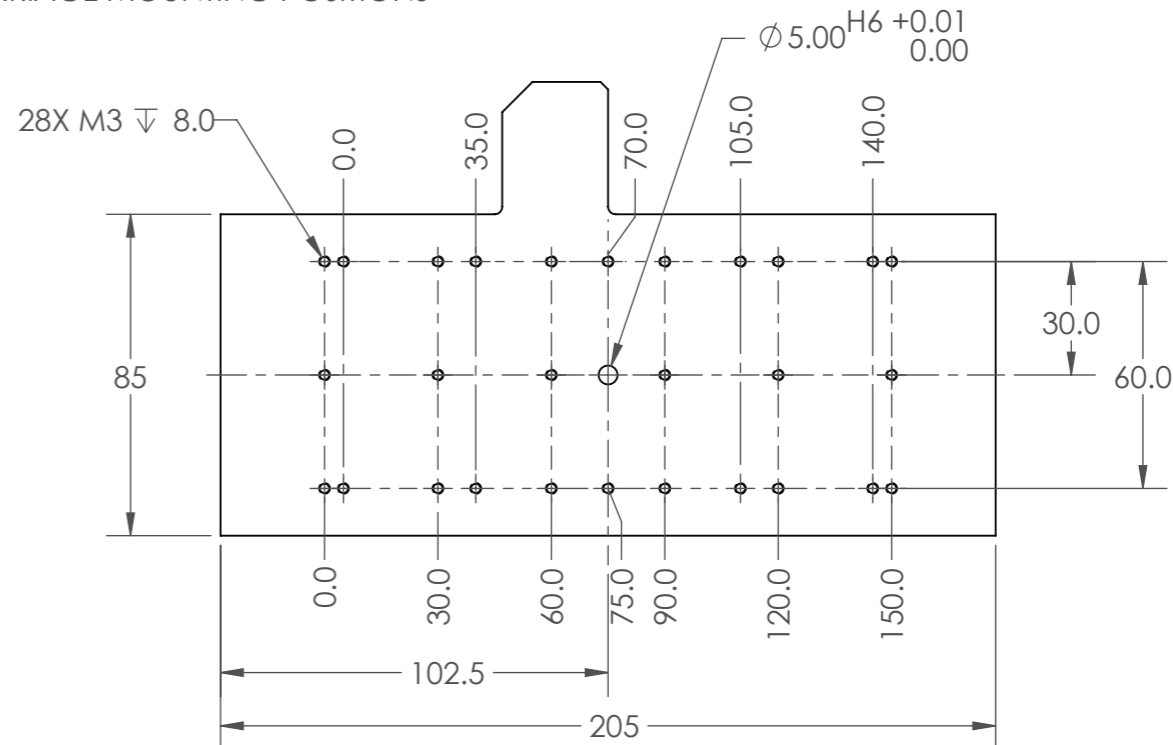
VSM17-X-150-LS



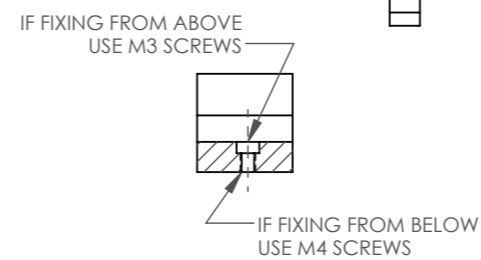
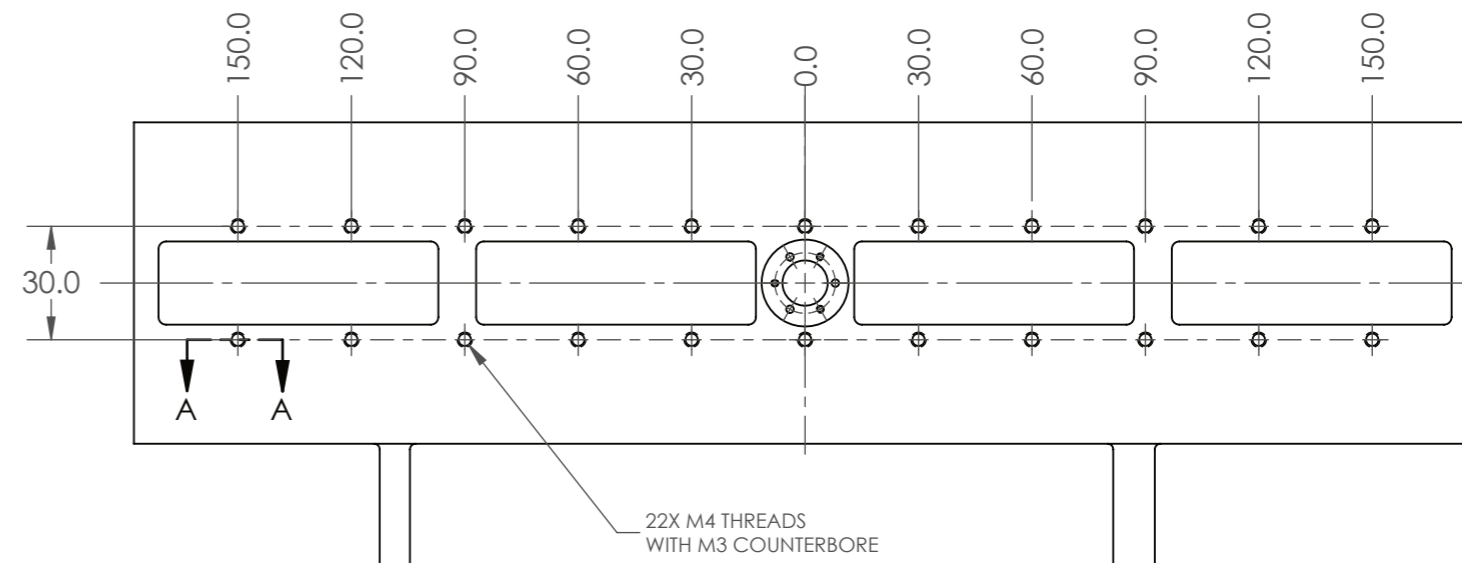
VSM17-X-150



CARRIAGE MOUNTING POSITIONS



BASE MOUNTING POSITIONS



SECTION A-A

ZONE	REV.	DESCRIPTION	DATE	APPROVED
A		Release	03/11/2022	
REVISIONS				

This drawing / document is copyright and the property of Arun Microelectronics Ltd. It must not be copied (in whole or in part), used for manufacture or otherwise disclosed without prior written consent of the company.

©Arun Microelectronics Ltd. 2022

All materials and / or components must comply with ROHS requirements

MATERIAL:

FINISH:



Arun Microelectronics Ltd.

UNLESS OTHERWISE SPECIFIED

DIMENSIONS ARE IN:- mm

TOLERANCES:
ONE PLACE DECIMAL ±0.25
TWO PLACE DECIMAL ±0.10

General geometrical tolerances in accordance with ISO 2768-K

DRAWN PJB

THIRD ANGLE PROJECTION

TITLE:

VSM17-X-150 GA

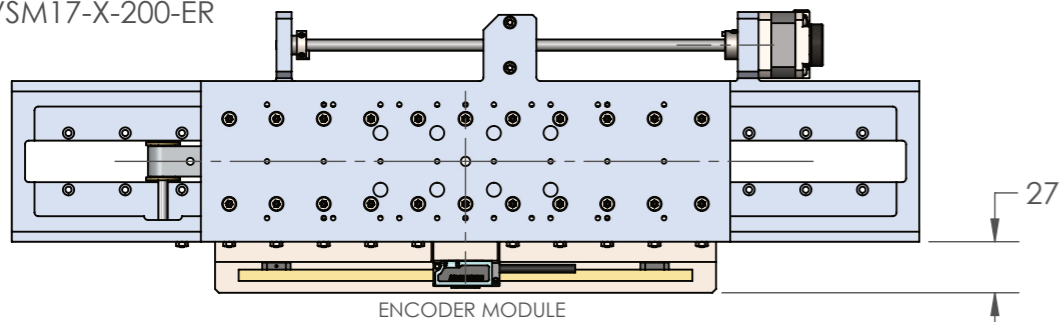
DWG NO.

M17-003A

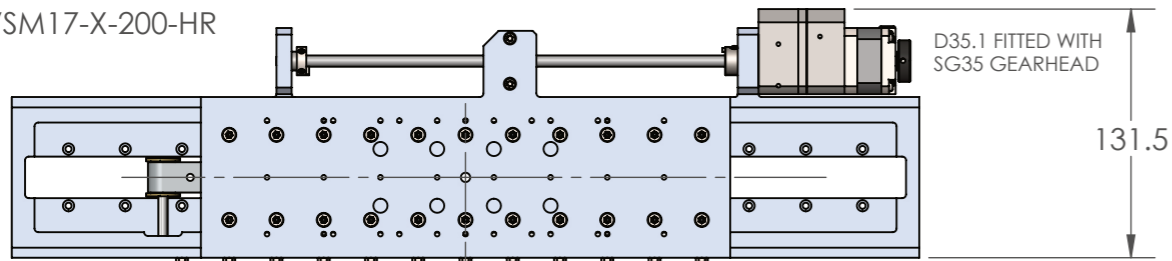
DO NOT SCALE DRAWING

SHEET 1 OF 1

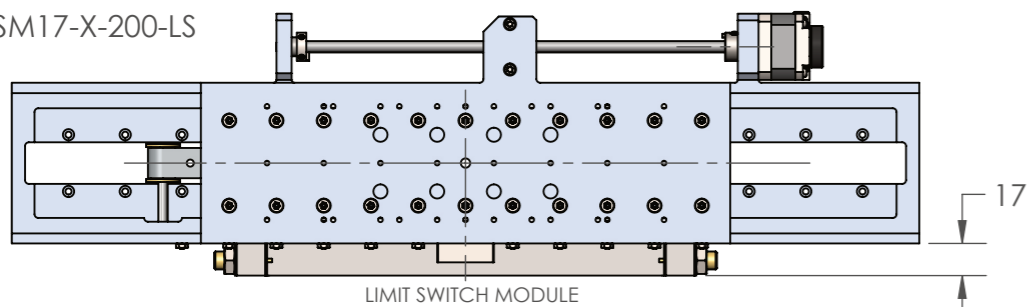
VSM17-X-200-ER



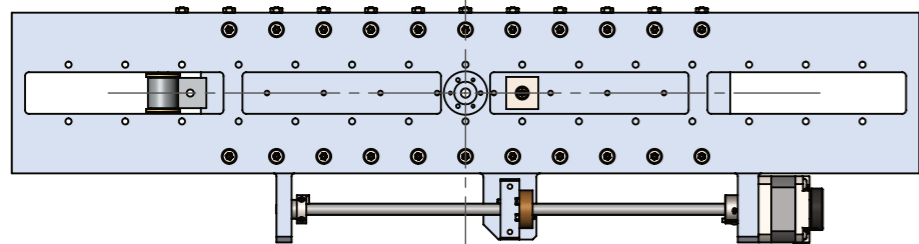
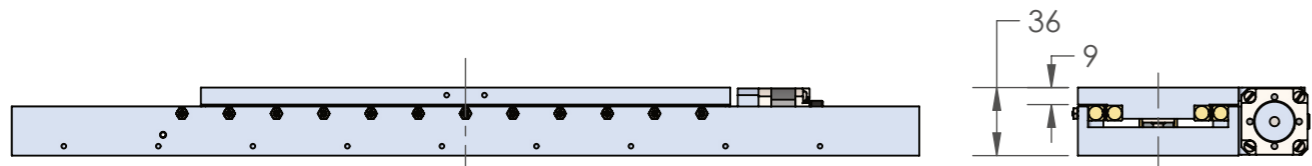
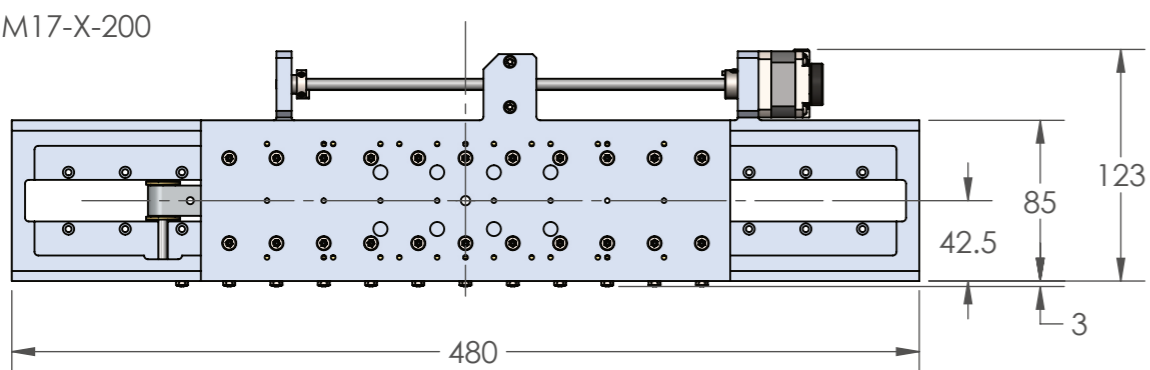
VSM17-X-200-HR



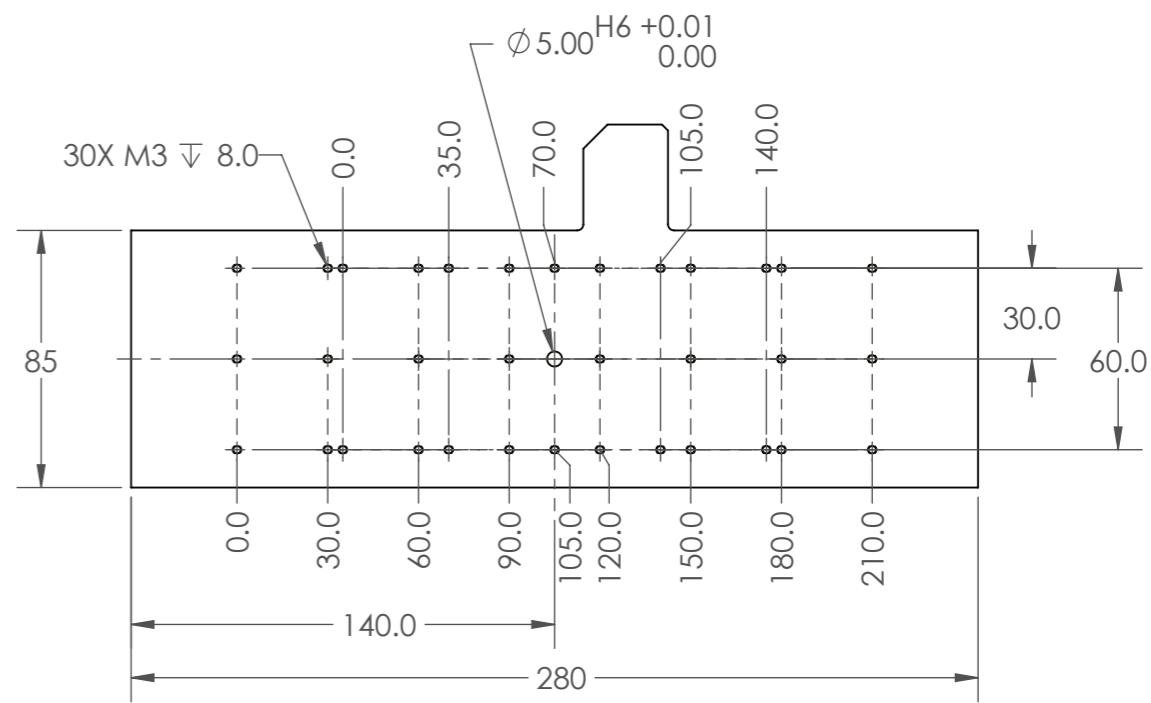
VSM17-X-200-LS



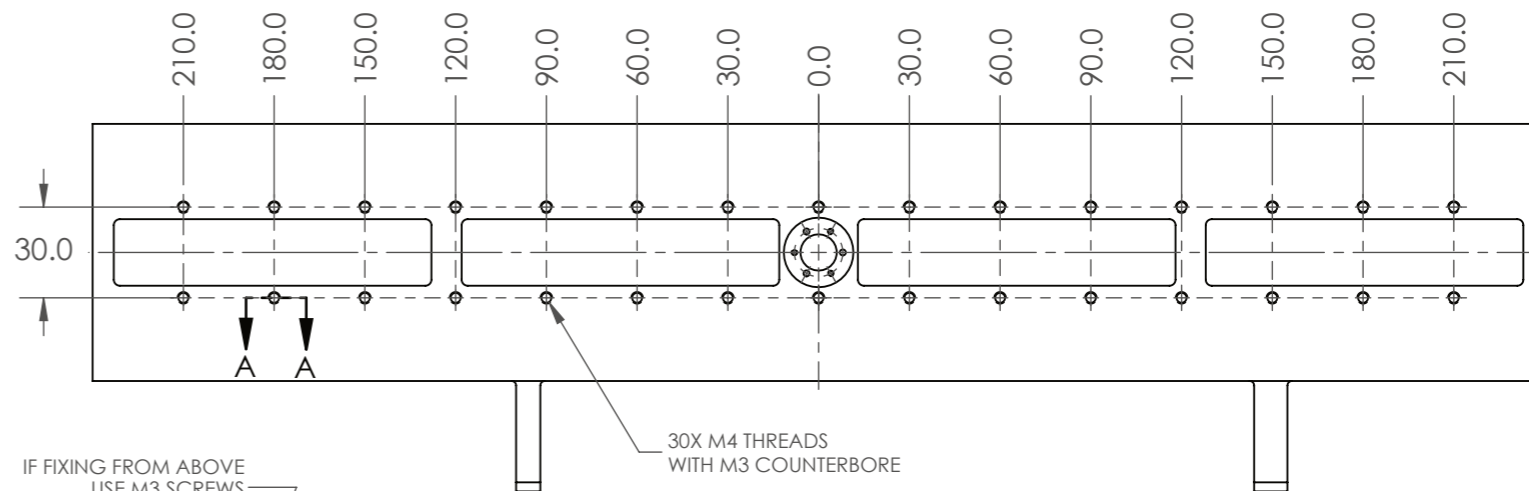
VSM17-X-200



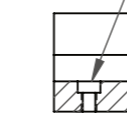
CARRIAGE MOUNTING POSITIONS



BASE MOUNTING POSITIONS



IF FIXING FROM ABOVE USE M3 SCREWS



IF FIXING FROM BELOW USE M4 SCREWS

SECTION A-A

This drawing / document is copyright and the property of Arun Microelectronics Ltd. It must not be copied (in whole or in part), used for manufacture or otherwise disclosed without prior written consent of the company

©Arun Microelectronics Ltd. 2022

All materials and / or components must comply with ROHS requirements

MATERIAL:

FINISH:



Arun Microelectronics Ltd.

UNLESS OTHERWISE SPECIFIED
DIMENSIONS ARE IN:- mm

TOLERANCES:
ONE PLACE DECIMAL ± 0.25
TWO PLACE DECIMAL ± 0.10

General geometrical tolerances in accordance with ISO 2768-K

DRAWN

PJB

THIRD ANGLE PROJECTION

TITLE:

VSM17-X-200 GA

DWG NO.

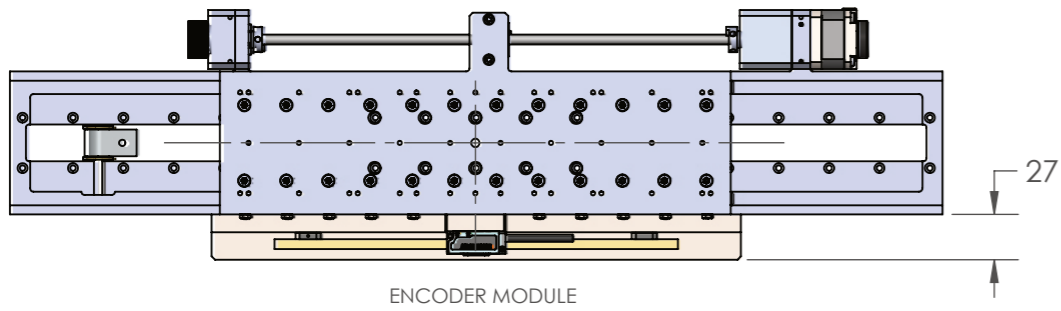
M17-004A

DO NOT SCALE DRAWING

SHEET 1 OF 1

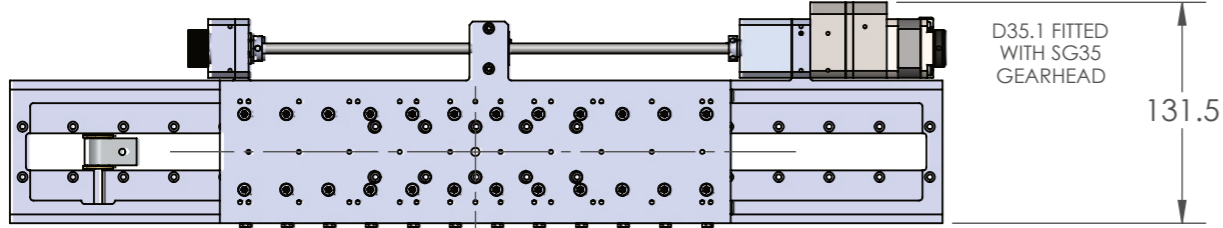
ZONE	REV.	DESCRIPTION	DATE	APPROVED
A		Release	04/11/2022	
REVISIONS				

VSM17-X-250-ER



ENCODER MODULE

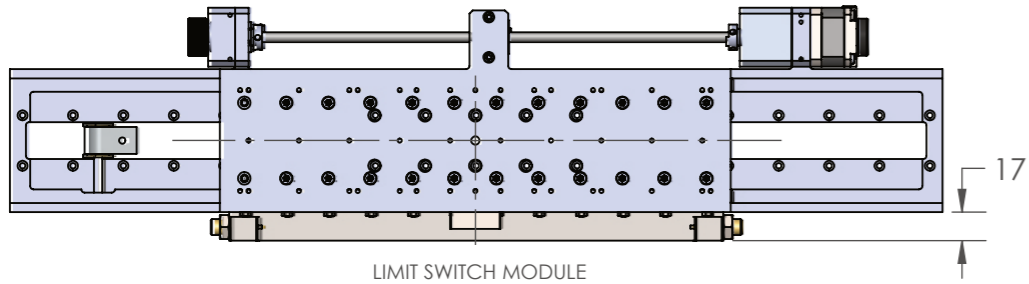
VSM17-X-250-HR



D35.1 FITTED WITH SG35 GEARHEAD

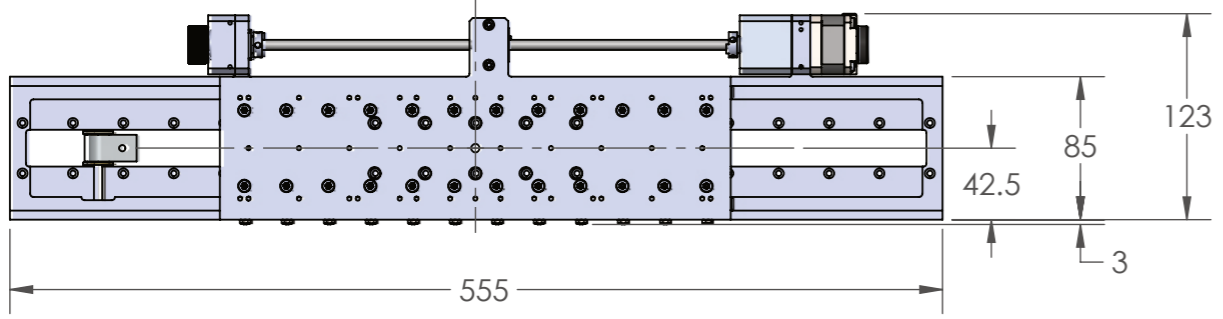
131.5

VSM17-X-250-LS



LIMIT SWITCH MODULE

VSM17-X-250



555

123

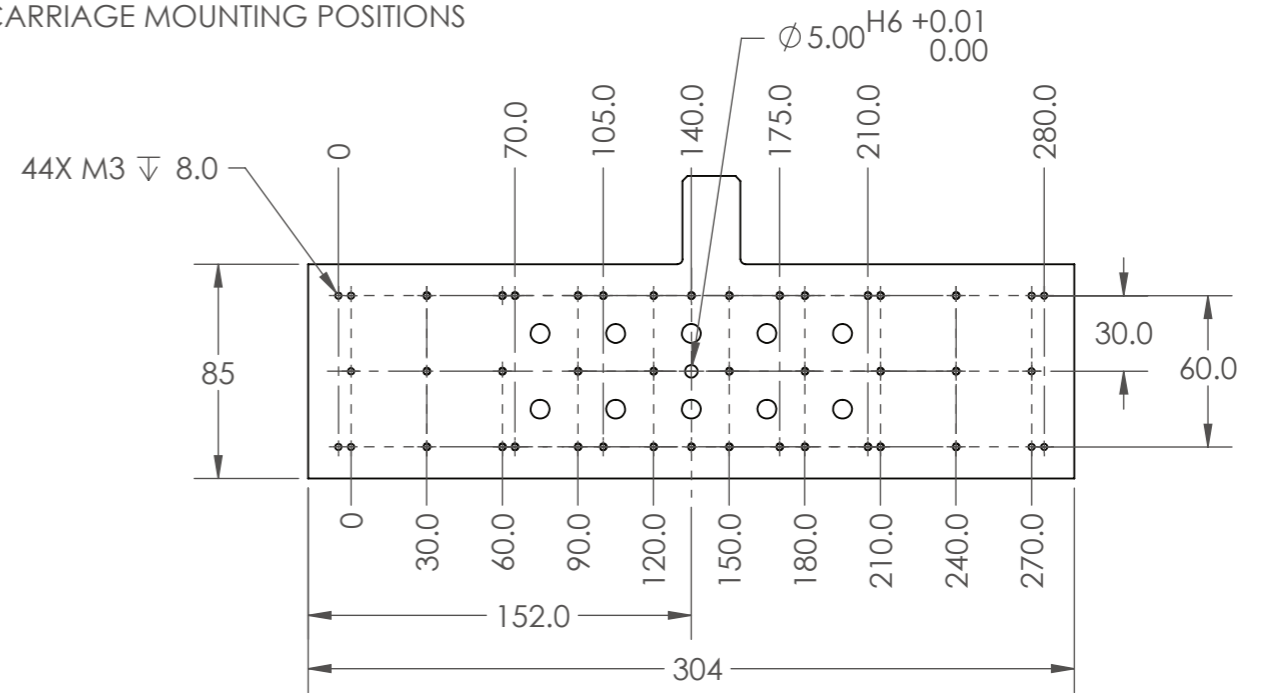
85

42.5

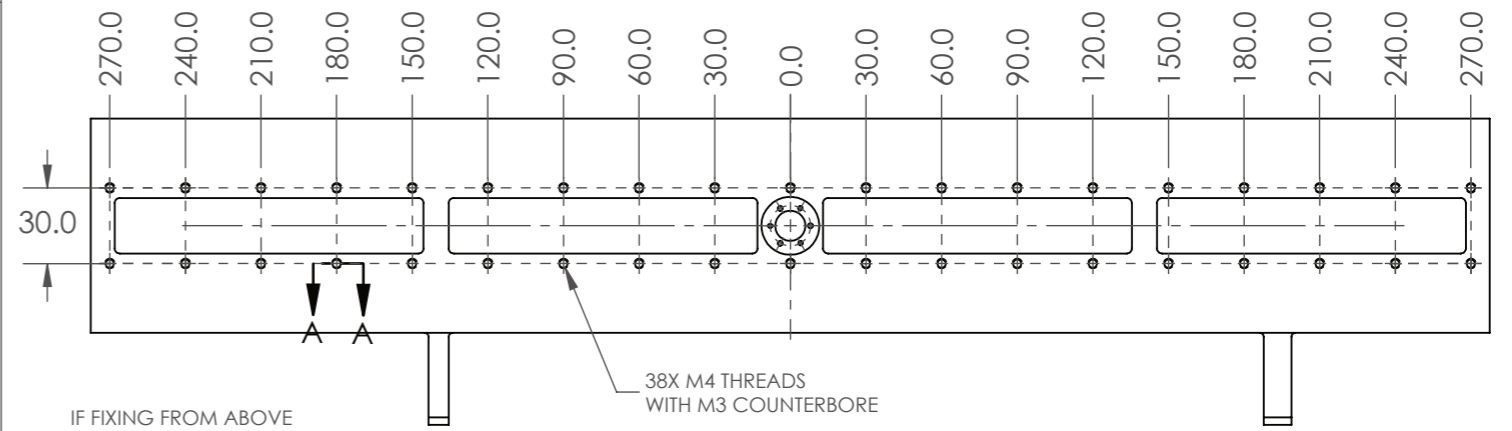
9

36

CARRIAGE MOUNTING POSITIONS



BASE MOUNTING POSITIONS



IF FIXING FROM ABOVE USE M3 SCREWS

IF FIXING FROM BELOW USE M4 SCREWS

SECTION A-A

This drawing / document is copyright and the property of Arun Microelectronics Ltd. It must not be copied (in whole or in part), used for manufacture or otherwise disclosed without prior written consent of the company

©Arun Microelectronics Ltd. 2022

All materials and / or components must comply with ROHS requirements

MATERIAL:

FINISH:



Arun Microelectronics Ltd.

UNLESS OTHERWISE SPECIFIED

DIMENSIONS ARE IN:- mm

TOLERANCES:
ONE PLACE DECIMAL ±0.25
TWO PLACE DECIMAL ±0.10

General geometrical tolerances in accordance with ISO 2768-K

DRAWN

JWC

THIRD ANGLE PROJECTION

TITLE:

VSM17-X-250 GA

DWG NO.

M17-008A

DO NOT SCALE DRAWING

SHEET 1 OF 1

ZONE	REV.	DESCRIPTION	DATE	APPROVED
A		Release	27/10/2025	
REVISIONS				