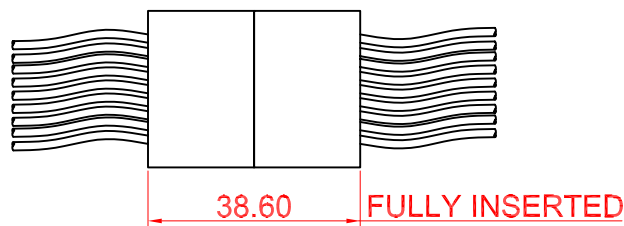
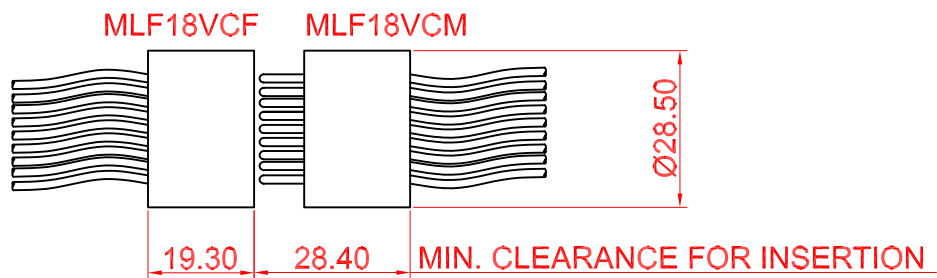
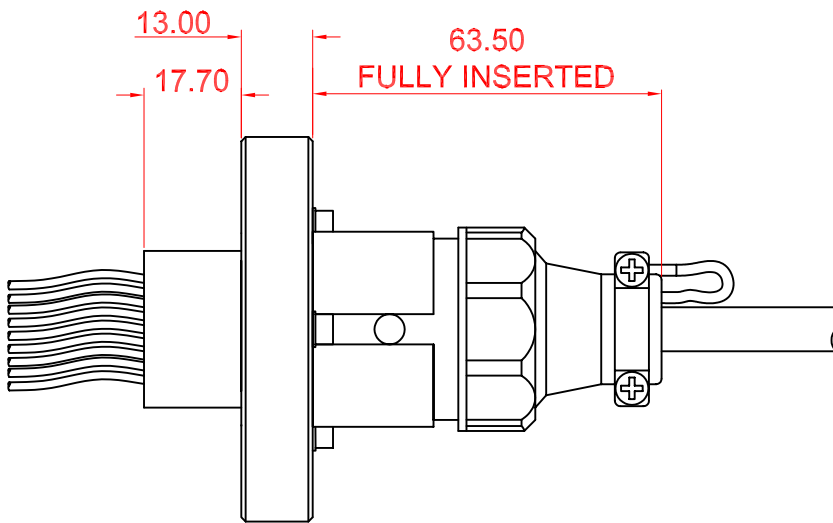
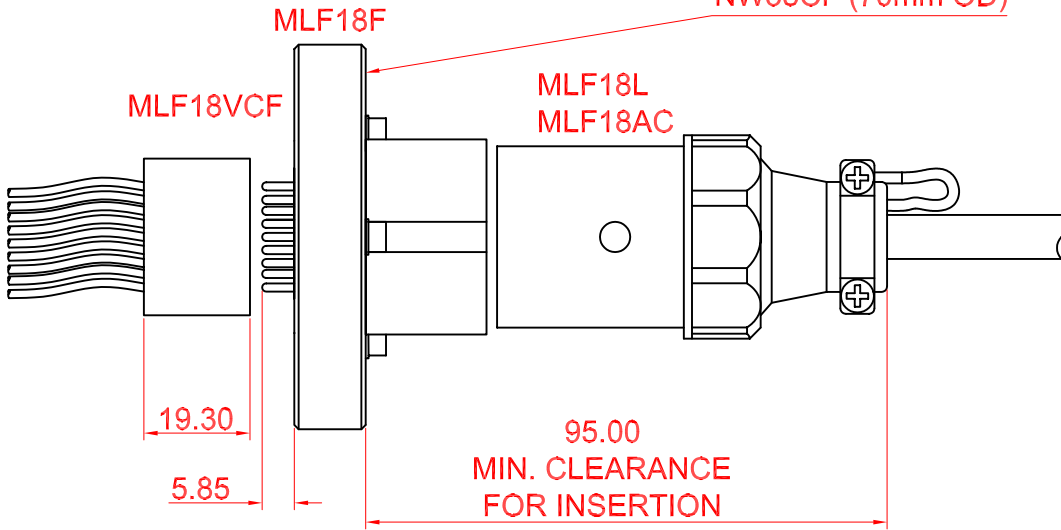


FLANGE TYPE
NW35CF (70mm OD)



© COPYRIGHT 2004 ARUN MICROELECTRONICS LTD.			
MLF18		GEN. TOL. LINEAR: ±0.10	STOCK NUMBER:
INSTALLATION DIMENSIONS		ANGULAR: ±0.20°	VARIOUS
1:1@A3		DIMENSIONS IN mm	A3
MATERIAL:		FINISH:	ISSUE:
N/A		N/A	A
			DRAWING NUMBER:
			Q41020
			SHEET 01 OF 01

B	RMF	030204	FLANGE TYPE ADDED
A	RMF	190104	RELEASE
ISSUE	DRAWN	DATE	MODIFICATION