



PG57 UHV Planetary Gearhead

PG57 Assembly Instructions with AML D57.1 Stepper Motor

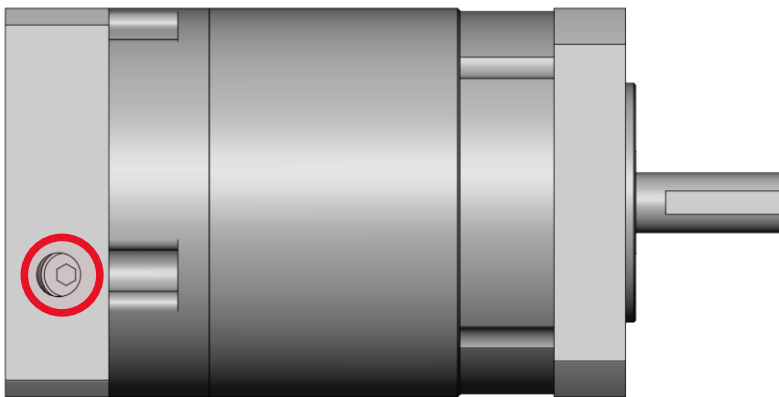
USER MANUAL

ISSUE 20231205

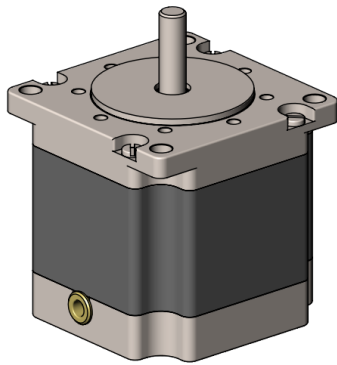
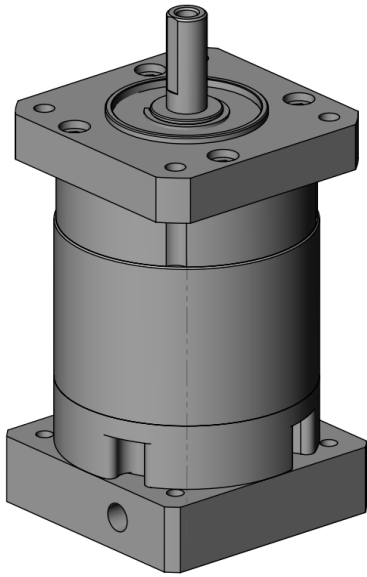
1. Instructions

As the motor and gearhead are supplied vacuum prepared, assembly should be done in a clean environment. As standard gearheads are not supplied preassembled to motors. If preassembly is required, please state this at the time of placing an order.

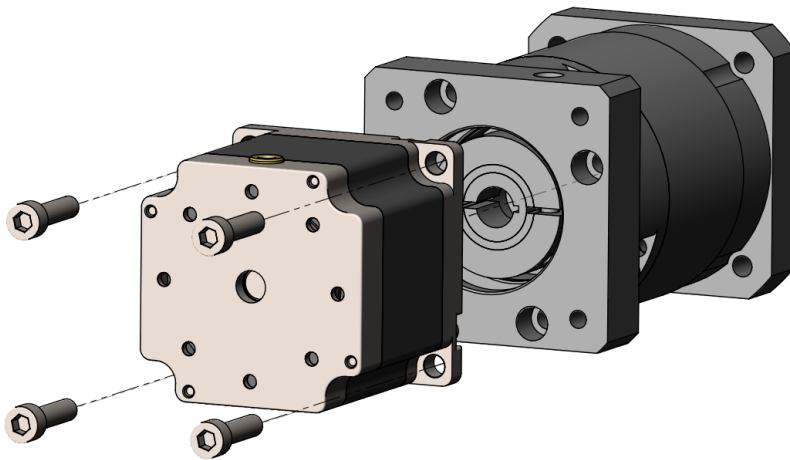
1. Rotate the shaft clamp so that it is accessible through the access hole with a 3mm allen key. Loosen the shaft clamp. Ensure the slit on the inner collar is in line with the slit on the shaft clamp.



2. Position the motor vertically with the shaft pointing upwards and insert the motor shaft into the gearhead shaft clamp.



3. Once the gearhead is fully seated, secure with the 4 x M5x20 screws supplied. Recommended torque ~7Nm (62 in-lbs).



4. Tighten the shaft clamp. Recommended torque ~4.6Nm (41 in-lbs).