

VSM17-Z Translation Stage

Ultra High Vacuum Modular Translation Stages

AML ultra high vacuum compatible vertical linear translation stages for z-axis translation of loads up to 30 kg.

They can be used standalone or as part of a complex motion system, as they are compatible with the range of VSM17 modular stages. Specifically designed for Z-axis translation, the sample table is always above the mechanism across the stage's full range of travel.

They are manufactured with UHV compatible material and construction methods and utilise AML UHV stepper motors.



FEATURES

- Standard travels from 50 to 70 mm
- 1 μm resolution
- 0.26 μm repeatability
- Maximum speed of 5 mm/sec
- Suitable for use to 1×10^{-10} mBar
- Bakeable to 200 °C
- 30 kg centred load capacity
- Features AML D35.1 stepper motor
- Can optionally be fitted with limit switches or an optical encoder
- Radiation resistant and dry lubricated versions available
- Designed for Z-axis translation
- Compatible with all VSM17 modular stages
- May be customised for specific requirements

SPECIFICATIONS

Specification	VSM17-Z-050	VSM17-Z-070
Travel	50	70
Resolution	1 μm	
Maximum Speed	5 mm/s	
Repeatability	0.26 μm	
Centred Load Capacity	30 kg	
Maximum Load Moment	80 Nm	42 Nm
Roll, Pitch and Yaw (Unloaded)	$\pm 78 \mu\text{rad}$	$\pm 67 \mu\text{rad}$
Roll, Pitch and Yaw Compliance	$\pm 54 \mu\text{rad/Nm}$	$\pm 66 \mu\text{rad/Nm}$
Straightness of Travel	3 $\mu\text{m}/100 \text{ mm}$	
Stepper Motor	AML D35.1	
Vacuum	$1 \times 10^{-10} \text{ mBar}$	
Maximum Temperature	200 °C (reduces to 120 °C when an optional encoder is fitted)	
Mass Including Motor	2.1 kg	2.6 kg

NOTES

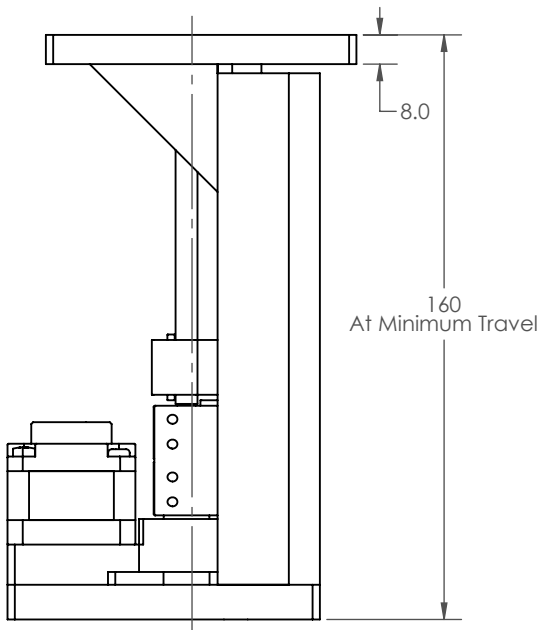
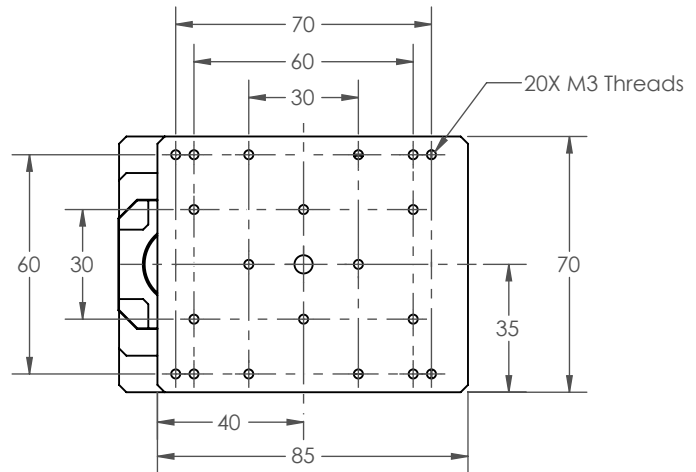
BACKLASH: Backlash in the gearbox of the VSM17-Z is controlled by special gearing and is negligible. Backlash between the nut and leadscrew is controlled by gravity.

LUBRICATION: Running surfaces are dissimilar materials or dry lubricated with molybdenum disulfide. Leadscrews are lubricated with Nyetorr® 6300 UHV grease. Dry lubrication can be specified.

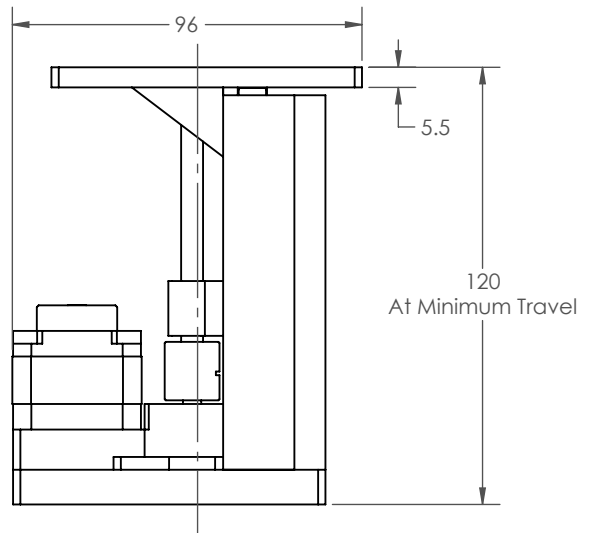
VERNIER STOP: These stages may be driven to the vernier stops at the limits of their travel and stalled without damage.

STACKED MECHANISMS: For 3-axis motion mount the stage moving the load vertically on top of the others to avoid adding their weight to its load.

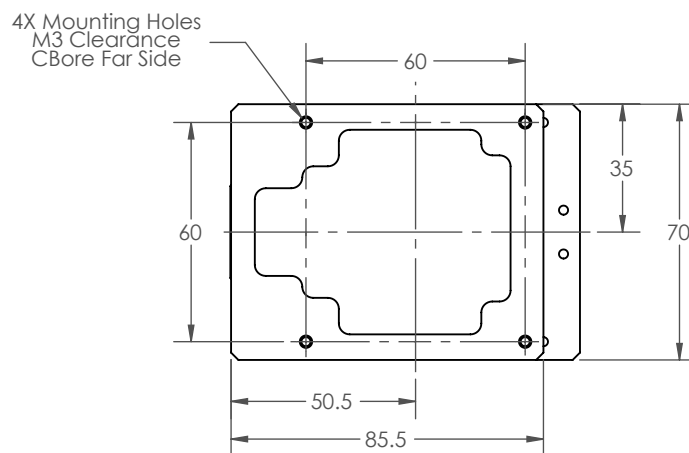
DIMENSIONS



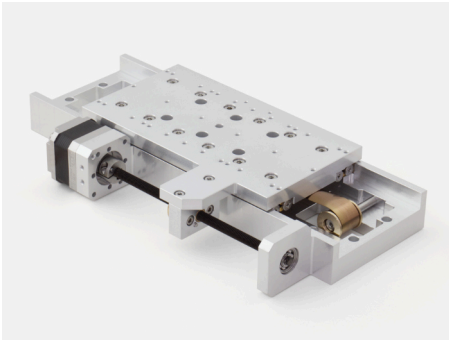
VSM17-Z-070



VSM17-Z-050



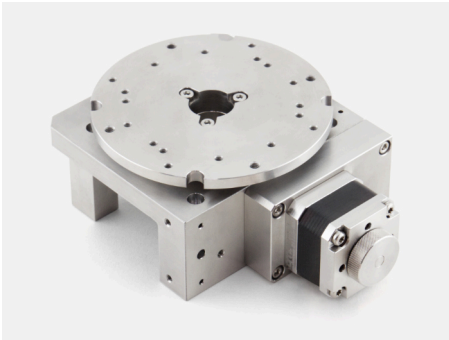
RELATED PRODUCTS



VSM17-X

High Performance, Modular UHV Compatible Stage.

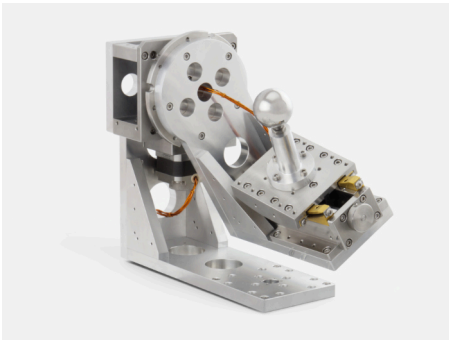
Linear translation stage suitable for use in UHV. Can support loads of up to several kilograms and travel from 50 to 200 mm. 5 μm resolution allows for precise in-vacuum motion.



VSM17-R

High Performance, Modular UHV Rotation Stage.

Rotation stage suitable for use in UHV. Can support loads of up to 100 kilograms. Resolutions from 0.1° to 0.005° with 360° of continuous rotation.



VSM17-G

High Performance, Modular UHV Goniometer Stage.

Goniometer stage suitable for use in UHV. It is possible to build a Euler goniometer with a common centre of rotation.

ORDERING INFORMATION

Order Code	
VSM17-Z-xxx	1 μm resolution (xxx=travel in mm)
VSM17-Z-xxx-LS	1 μm resolution with 2 x limit switches
VSM17-Z-xxx-EA	1 μm resolution with encoder (absolute)
VSM17-Z-xxx-ER	1 μm resolution with encoder (incremental)
VSM17-Z-xxx-R	1 μm resolution, radiation resistant



Arun Microelectronics Ltd.
Unit 2, Bury Mill Farm
Bury Gate
PULBOROUGH
RH20 1NN
United Kingdom

Tel: +44 (0)1903 884141
Email: sales@arunmicro.com

AML pursues a policy of continuous improvement and reserves the right to make detail changes to specifications without consultation. E and OE.